

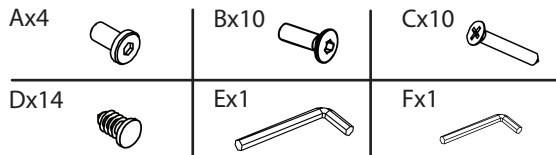


## ASSEMBLY INSTRUCTIONS

### #47174 (52") #47176 (48")

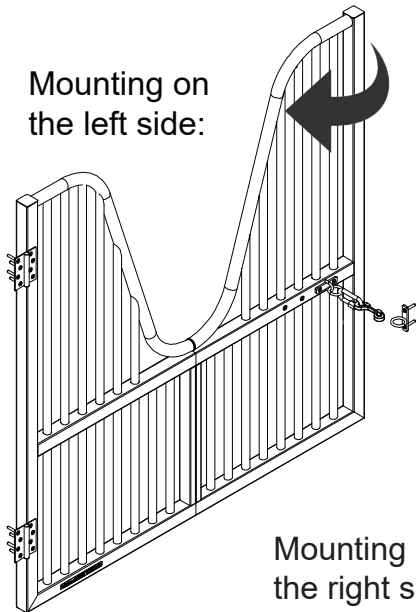
### Schneiders® Titan Elite Gates

### KD Stall Gate with Yoke

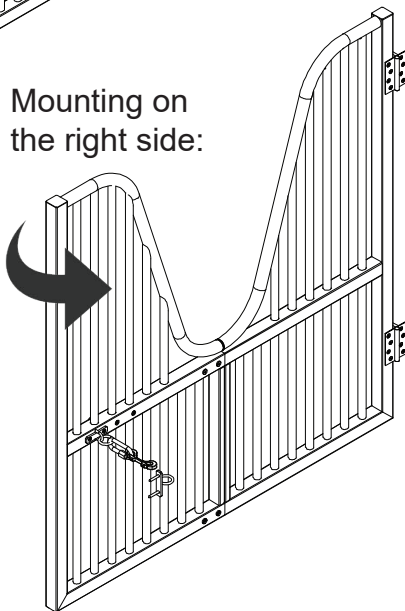


To assemble, check to ensure that all necessary parts are included. Please follow the assembly instructions carefully.

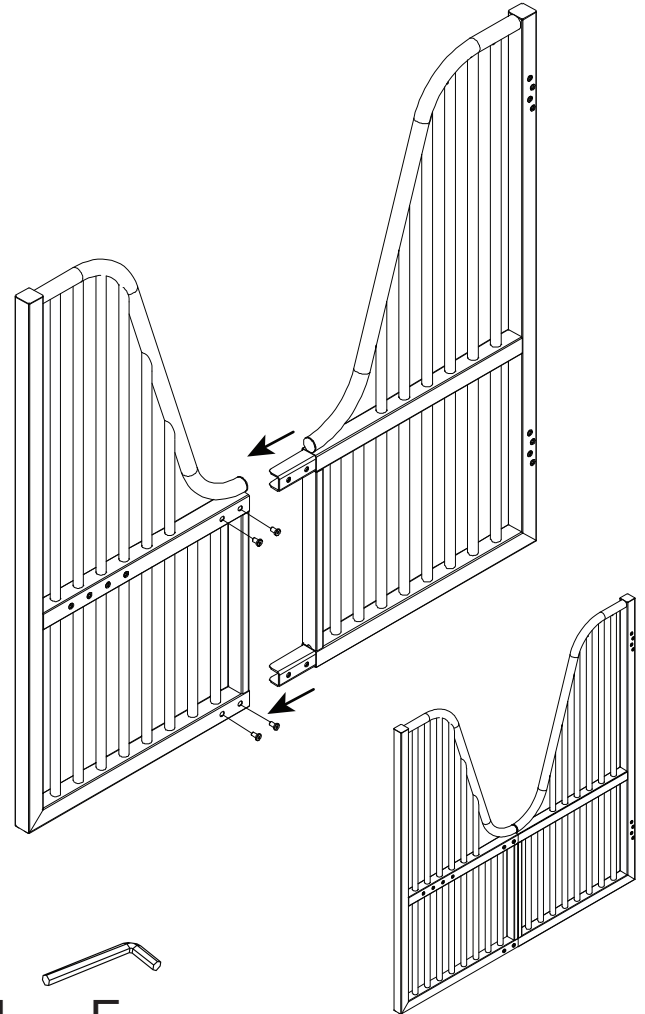
Mounting on the left side:



Mounting on the right side:



This gate can be mounted on either the left or the right side of a stall door frame. It allows for a left swing or right swing function, depending on your preference.



Ax4

E

#### Step 1: Slide Gate Halves Together

Easiest when layed down on a level surface, align the halves and slide together. Bolt them together using part A (x4).

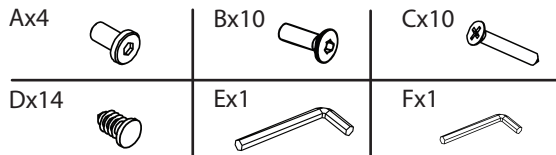


## ASSEMBLY INSTRUCTIONS

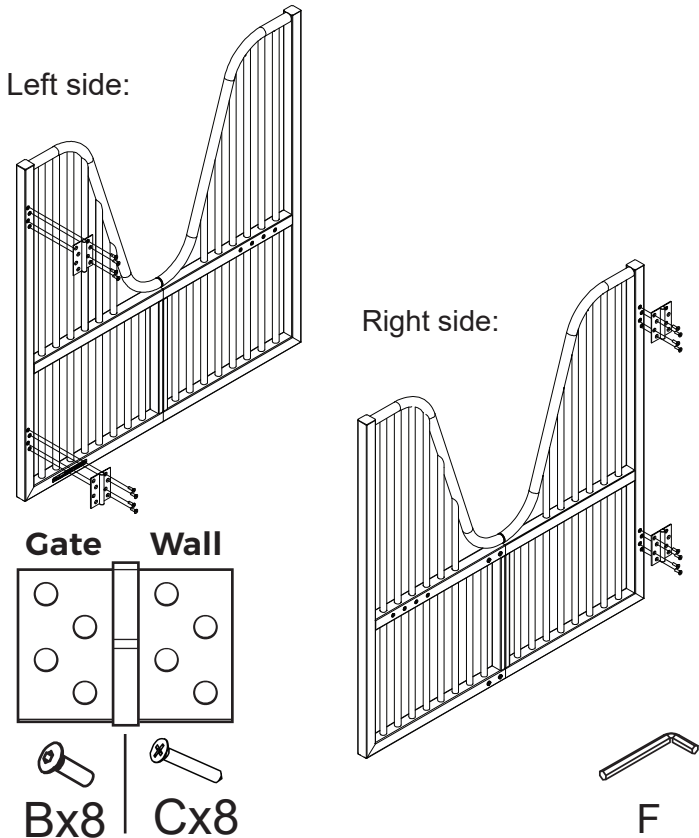
### #47174 (52") #47176 (48")

### Schneiders® Titan Elite Gates

### KD Stall Gate with Yoke

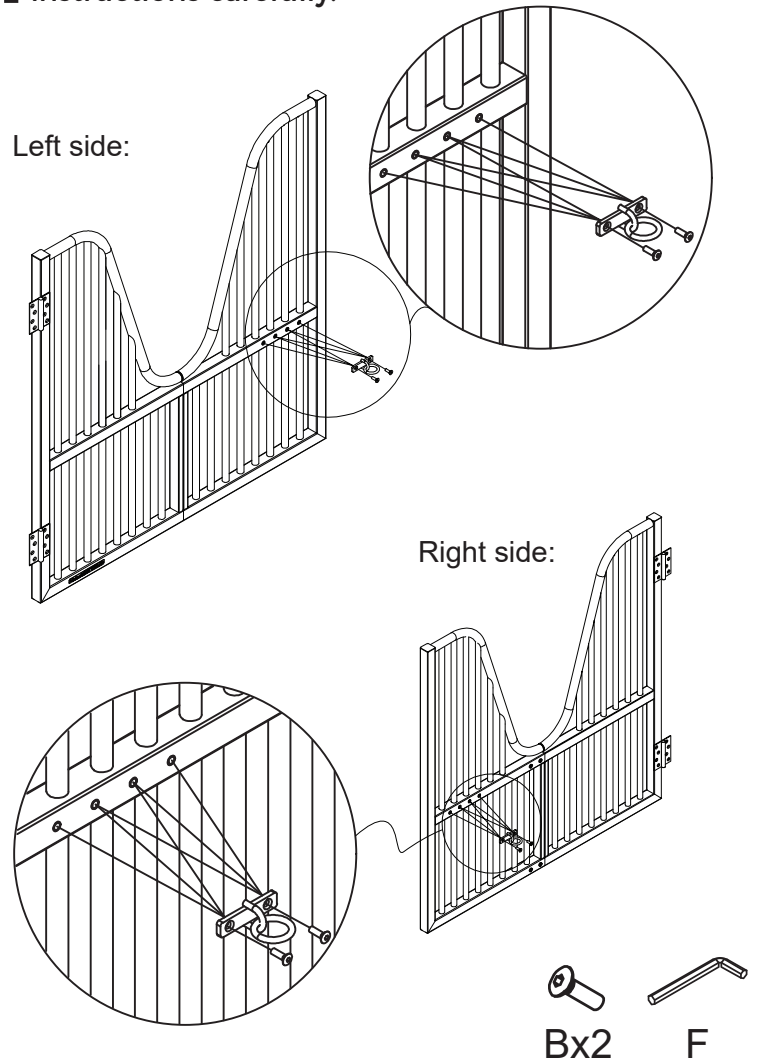


**Step 2a: Attach Hinges to the Gate**  
 Locate the top and bottom hinges included in the package. Using the provided screws, securely attach both hinges to the gate frame.



**Step 2b: Mount Gate to Stall Door Opening**  
 Position the gate against the stall door opening towards the outside of the frame post, either on the inside or outside of stall. Decide whether the gate will swing towards the aisle or inside the stall, depending on your setup preference. Secure the hinges to the stall door frame with the included screws.

To assemble, check to ensure that all necessary parts are included. Please follow the assembly instructions carefully.



**Step 3: Attach the Swivel O-Ring**  
 Locate the swivel O-ring included in the hardware. Attach it to the front end of the gate using one of the three available mounting location hole sets. Choose the best location that fits your stall door frame and desired locking position.

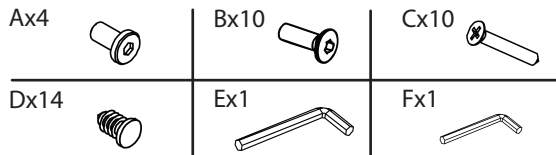


## ASSEMBLY INSTRUCTIONS

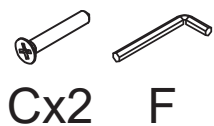
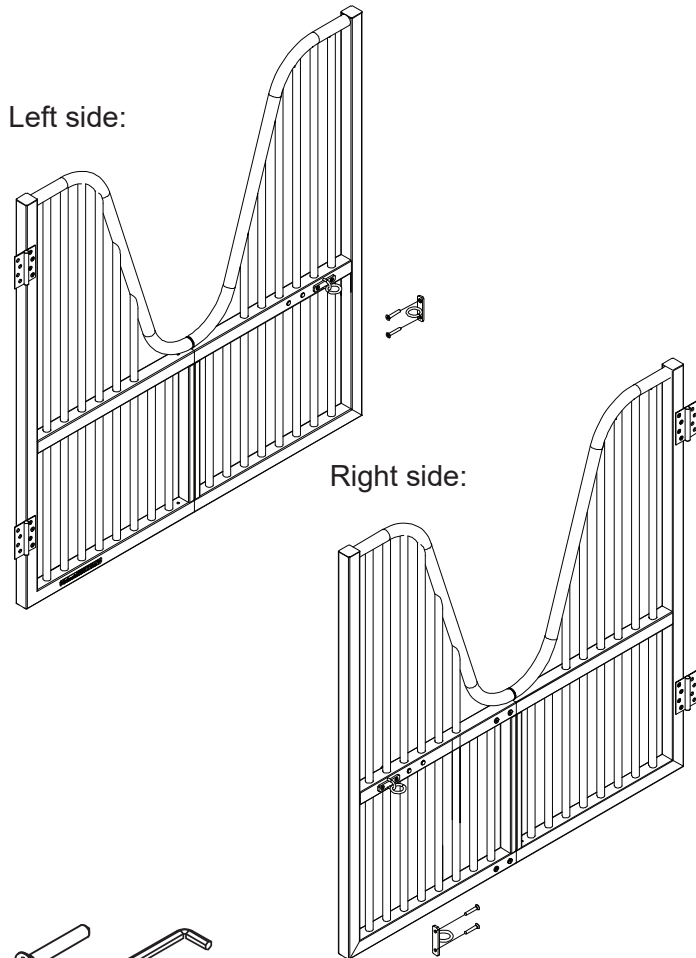
### #47174 (52") #47176 (48")

### Schneiders® Titan Elite Gates

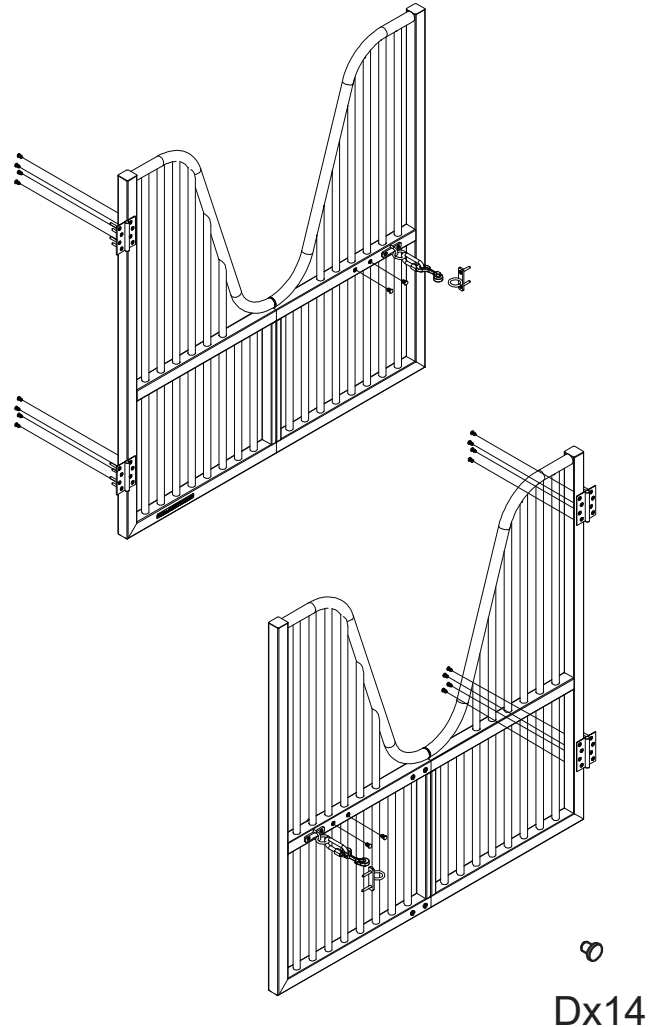
### KD Stall Gate with Yoke



**Step 4: Install the Welded O-Ring for Locking**  
 Determine whether you want to lock the gate from the inside door frame or outside front of the stall, depending on how you mounted your gate. Mount the welded O-Ring to the stall door frame at the preferred height for securing the gate. Ensure it aligns with the swivel O-Ring for a proper locking fit with included snap.



To assemble, check to ensure that all necessary parts are included. Please follow the assembly instructions carefully.



**Step 5: Secure Unused Screw Holes**  
 Use the provided screw hole plugs to fill in any unused screw holes from installation. This helps to maintain the durability and aesthetic of the gate, as well as provide moisture protection from inside the gate.