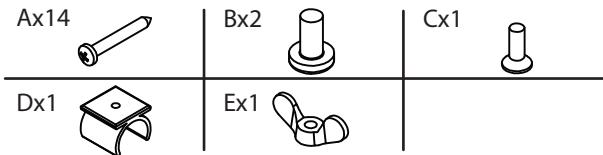


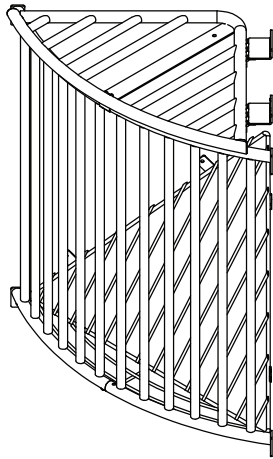


ASSEMBLY INSTRUCTIONS

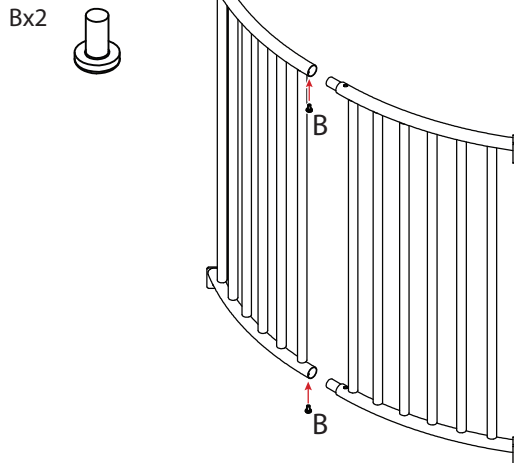
#48336 Easy-Up® Pro Slow Feed Mounted Corner Hay Rack



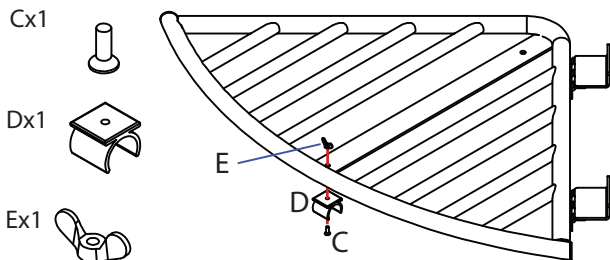
To assemble, check to ensure that all necessary parts are included. Please follow the assembly instructions carefully.



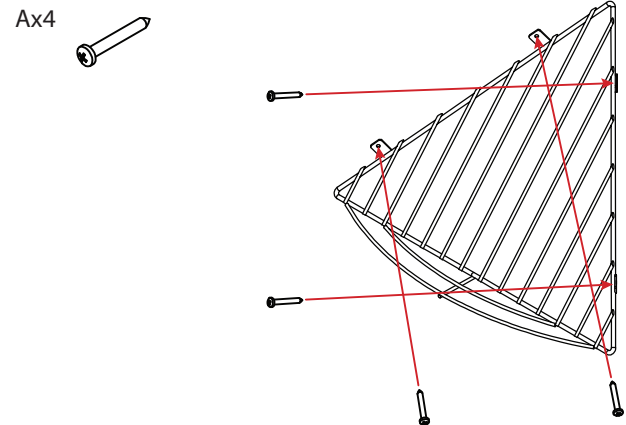
Step 1



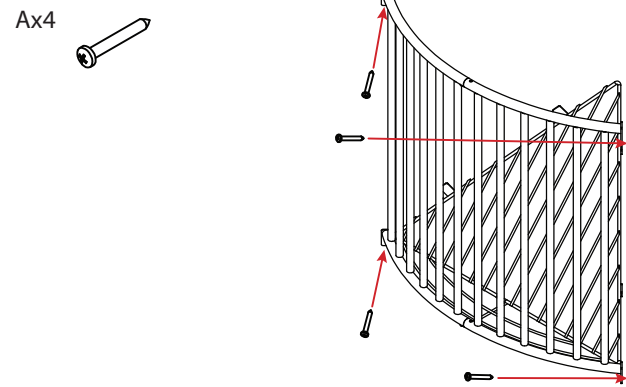
Step 2



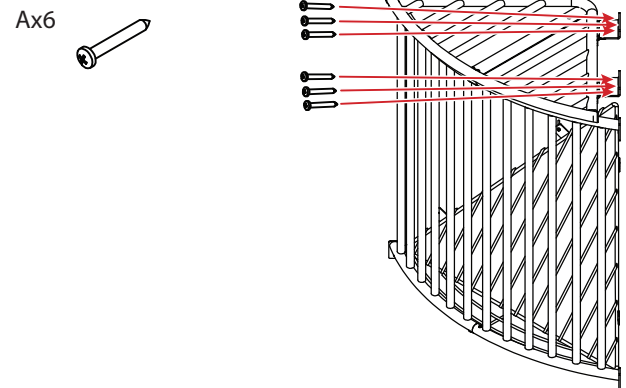
Step 3



Step 4



Step 5



Schneider Saddlery

8255 E. Washington Street | Chagrin Falls, OH 44023

SSTACK.COM