

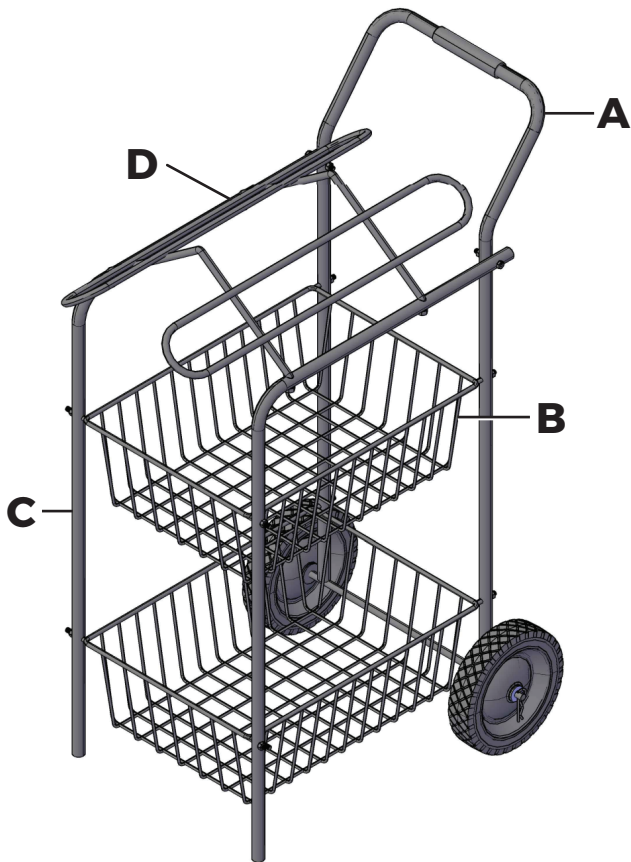


ASSEMBLY INSTRUCTIONS

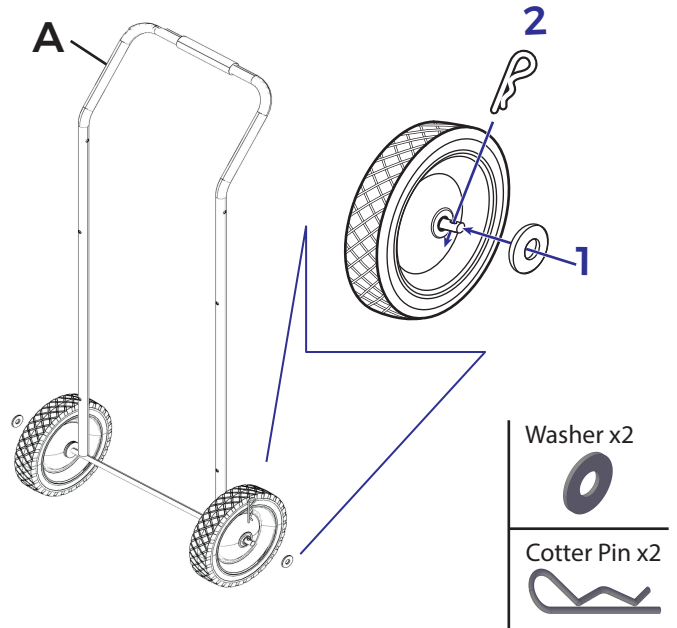
#08294 Easy-Up® Show Cart with Saddle Rack

Wheels x2	Washer x2	Big Nut x4	Small Nut x10
	Bolt x2	Cotter Pin x2	
A	Handle-Wheel Frame		1
B	Basket		2
C	Front Leg		2
D	Saddle Rack		1

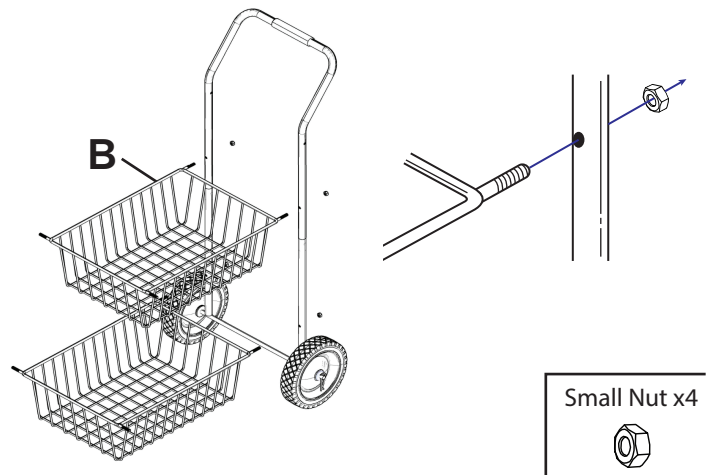
To assemble, check to ensure that all necessary parts are included. Please follow the assembly instructions carefully.



Step 1.) Attach the wheels on part A (Handle Wheel Frame).



Step 2.) Attach part B (Baskets)



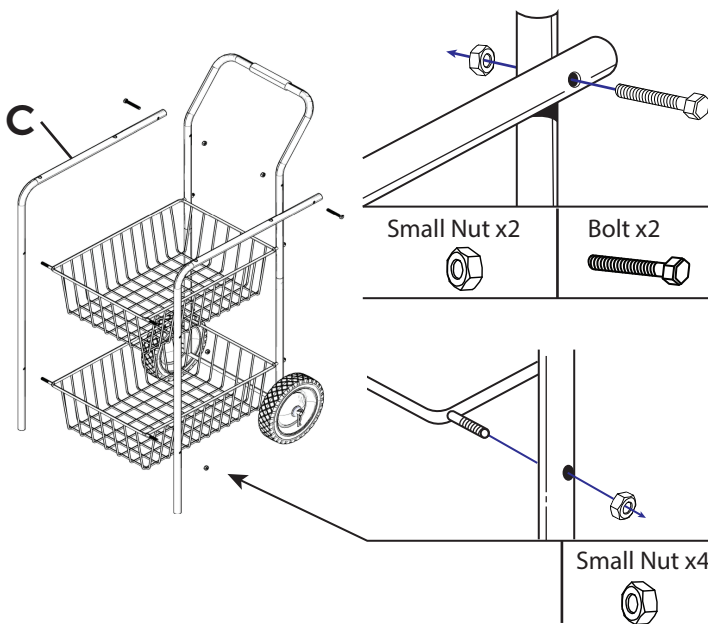


ASSEMBLY INSTRUCTIONS

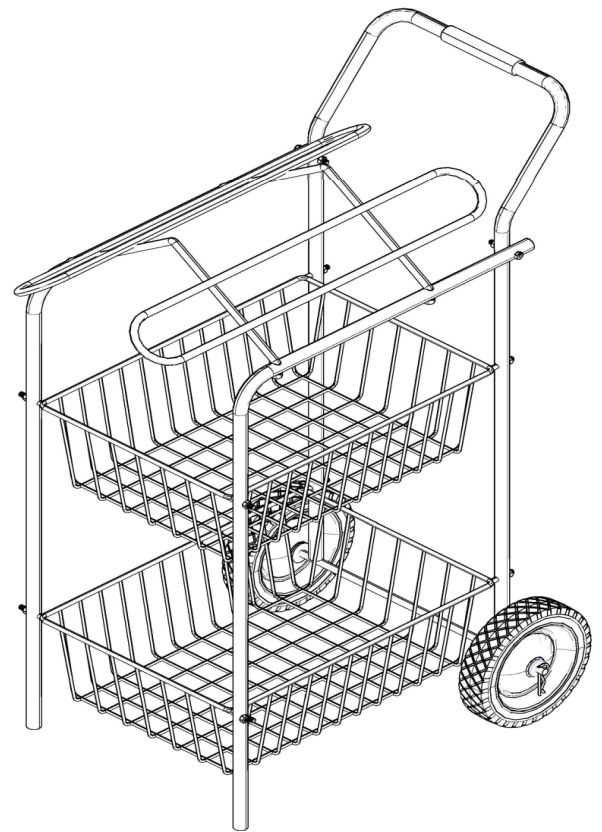
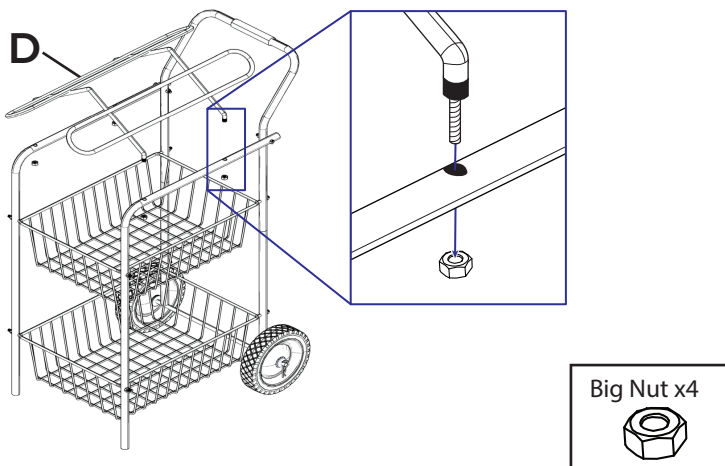
#08294 Easy-Up[®] Show Cart with Saddle Rack

To assemble, check to ensure that all necessary parts are included. Please follow the assembly instructions carefully.

Step 3.) Attach part C (Front L Legs)



Step 4.) Attach part D (Saddle Rack)



Schneider Saddlery

8255 E. Washington Street | Chagrin Falls, OH 44023

SSTACK.COM