

ASSEMBLY INSTRUCTIONS

#20358 Easy-Up® Carousel Tack Rack

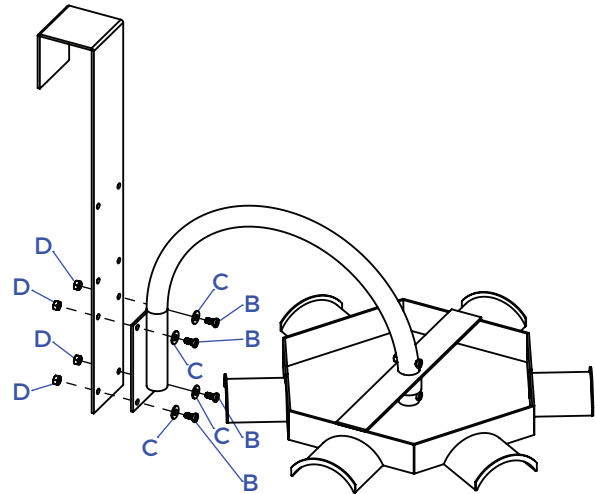
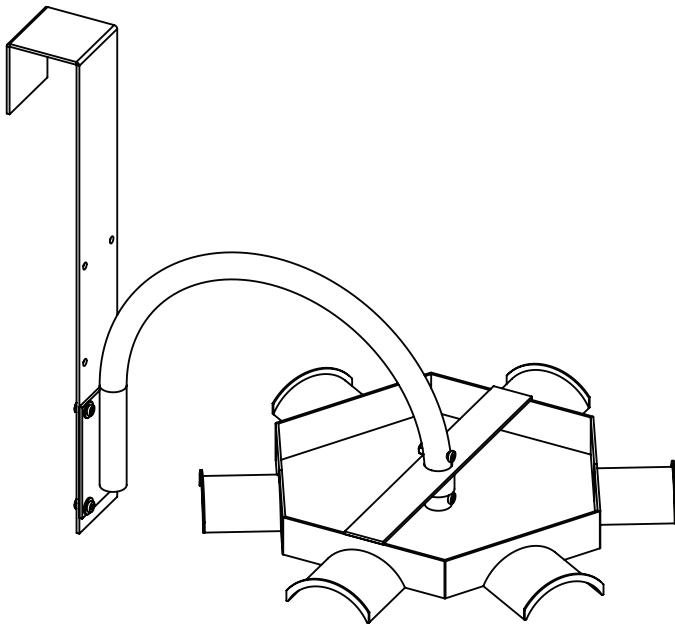
To assemble, check to ensure that all necessary parts are included. Please follow the assembly instructions carefully.

Step One

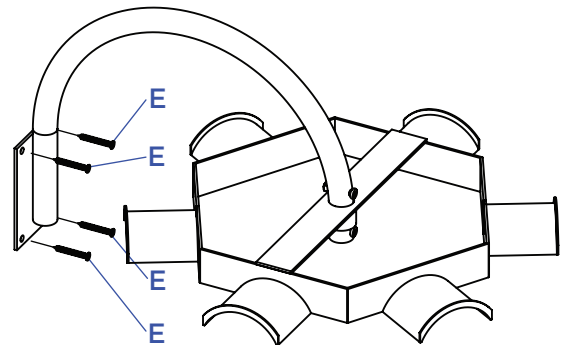
1. Select a location to hang the Carousel Tack Rack.

Step Two

1. Mount the arched wall mount support to a secure surface with the 4 provided screws; or attach the wall hook for portable use.



OR



Schneider Saddlery

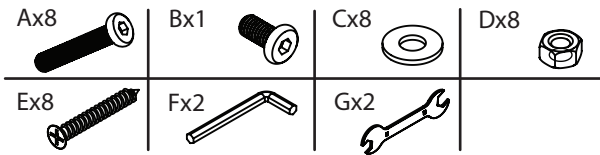
8255 E. Washington Street | Chagrin Falls, OH 44023

SSTACK.COM



ASSEMBLY INSTRUCTIONS

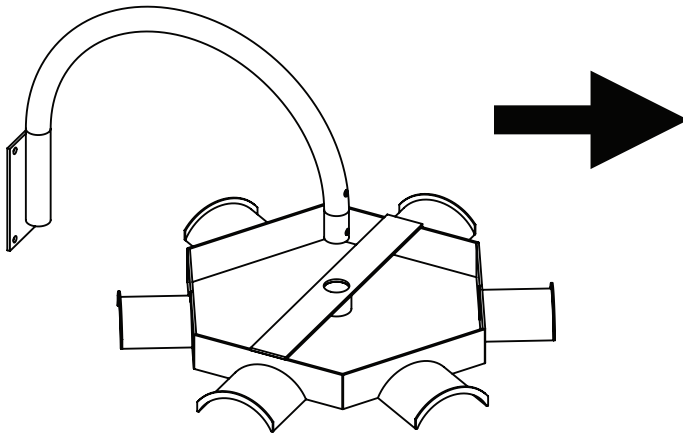
#20358 Easy-Up® Carousel Tack Rack



! To assemble, check to ensure that all necessary parts are included. Please follow the assembly instructions carefully.

Step Three

1. Take the 6 hook carousel and insert the end of the arched wall mount support through the hole in the center bracket of the carousel.



Step Four

1. Secure the carousel to the wall mount support with the provided bolts.

