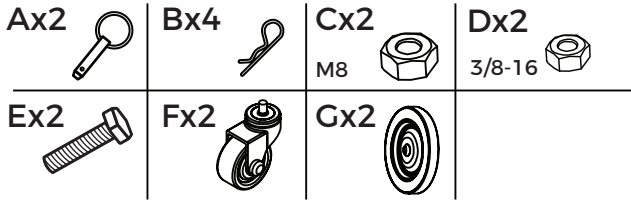




ASSEMBLY INSTRUCTIONS

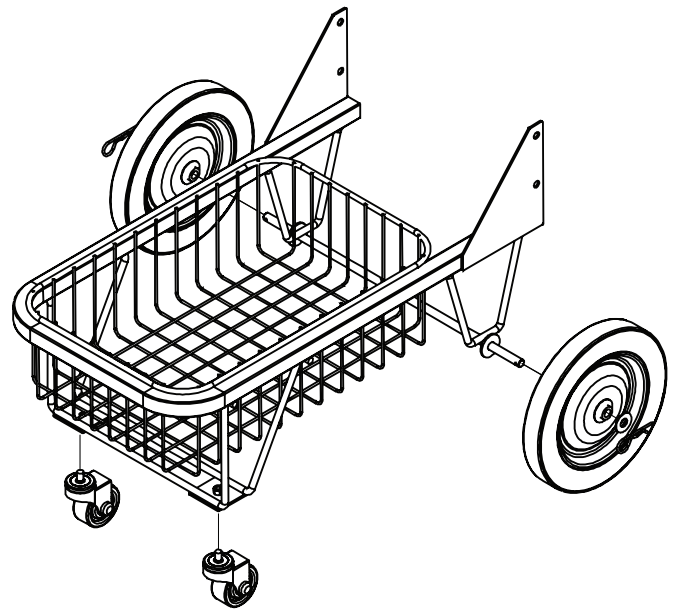
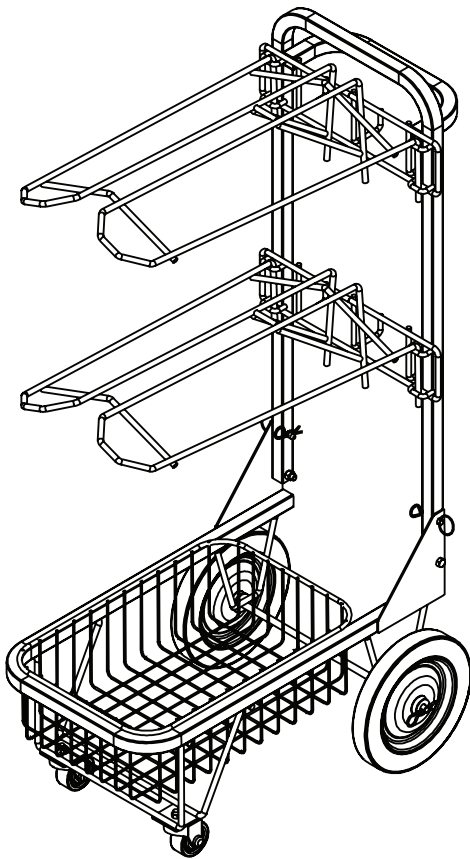
#22131 Easy-Up® Pro Series Saddle & Tack Cart



To assemble, check to ensure that all necessary parts are included. Please follow the assembly instructions carefully.

Step One

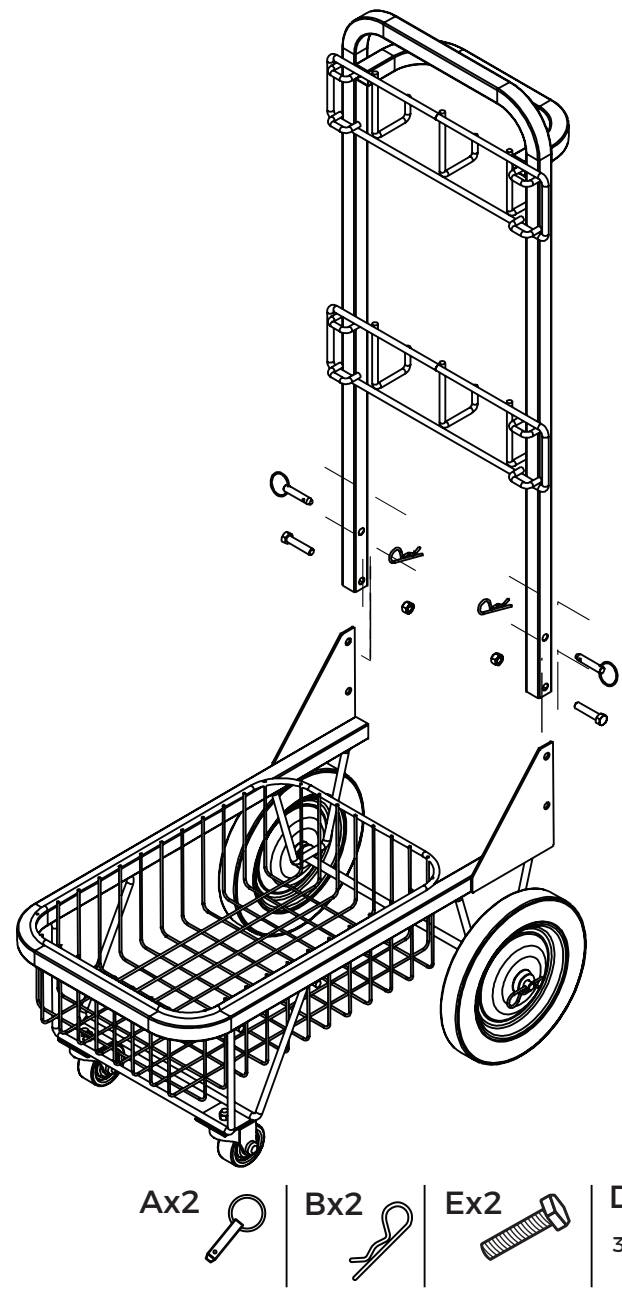
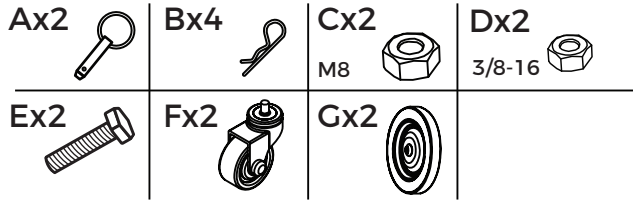
1. Flip basket upside down for easier assembly.
2. Install rear wheels by sliding wheel onto the axle. Slide the washer onto the axle and insert cotter pin into the hole in the axle.
3. Install front swivel wheels by inserting the bolt end into the hole on the bottom of the basket. Thread the 3/8" nut onto the bolt and tighten.
4. Flip basket over and continue to step two.



Schneider Saddlery

8255 E. Washington Street | Chagrin Falls, OH 44023

SSTACK.COM



ASSEMBLY INSTRUCTIONS

#22131 Easy-Up[®] Pro Series Saddle & Tack Cart

To assemble, check to ensure that all necessary parts are included. Please follow the assembly instructions carefully.

Step Two

1. Lay the backframe on the basket and line up the bottom holes of the frame with the holes in the triangle support.
2. Insert 3/8" bolts and tighten using nylon nuts.
3. Unfold unit into position pictured.
4. Insert pins and lock them into place using the lock pins (if hole appears small tap in using a rubber mallet).
5. Continue to step three.

Step Three

1. Slide saddle racks into position by inserting the two outer arms on the saddle rack into the rings on the rectangular bracket, located on the front of the support bars.

