



## ASSEMBLY INSTRUCTIONS

### #25594 Insta-Hot® Pro Cart by Easy-Up®

**I** To assemble, check to ensure that all necessary parts are included. Please follow the assembly instructions carefully.

The Insta-Hot® Pro Cart is custom designed to house the Insta-Hot® Pro unit (not included) so you can easily take your washing system anywhere.

Built in wire grooming basket and 3 tack hooks.

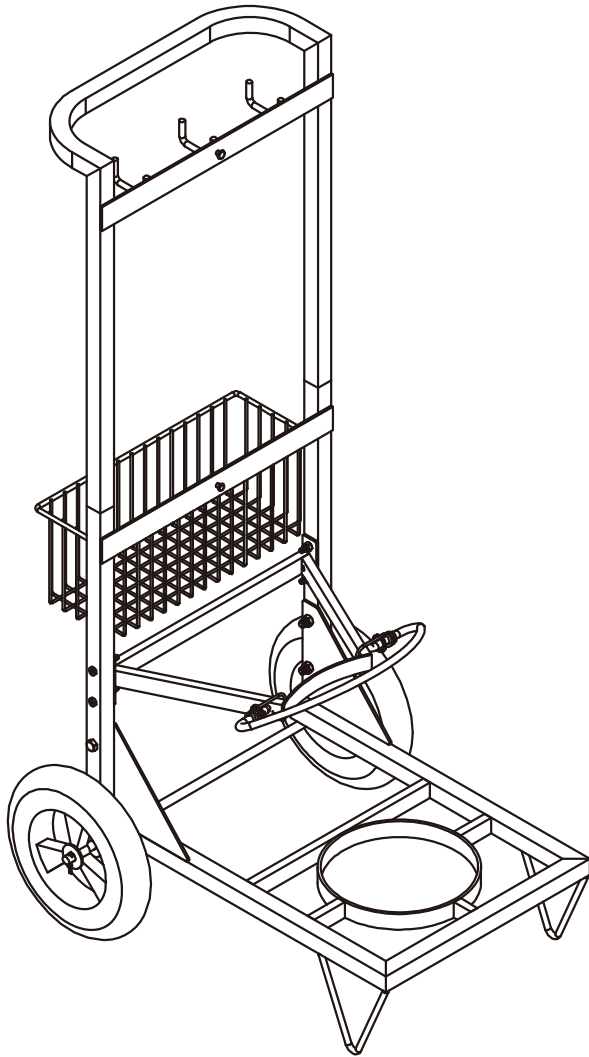
Recessed bottom safely and securely seats a standard 20 lb. propane tank.


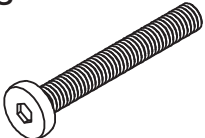

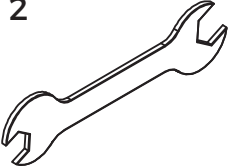

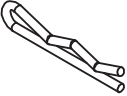
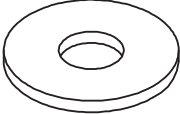


8" solid all terrain wheels

Durable square tube construction with an armor coat finish

Assembled measurements: 48"H x 26"D x 17"W

Weight: 25 lbs.



<p>A x 8</p> 	<p>B x 8</p> 	<p>C x 4</p> 	<p>D x 2</p> 
<p>E x 1</p> 	<p>F x 2</p> 	<p>G x 2</p> 	<p>H x 2</p> 
<p>I x 1</p> 			

**Schneiders Saddlery**

8255 E. Washington Street | Chagrin Falls, OH 44023

**SSTACK.COM**

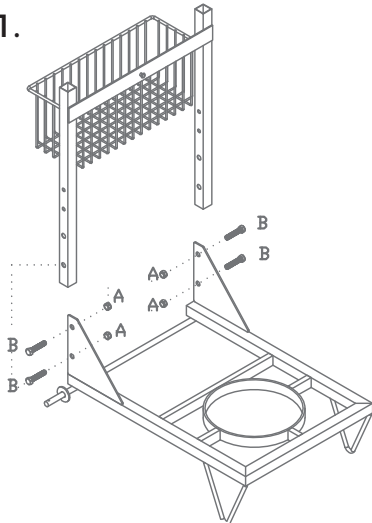


# ASSEMBLY INSTRUCTIONS

## #25594 Insta-Hot® Pro Cart by Easy-Up®

To assemble, check to ensure that all necessary parts are included. Please follow the assembly instructions carefully.

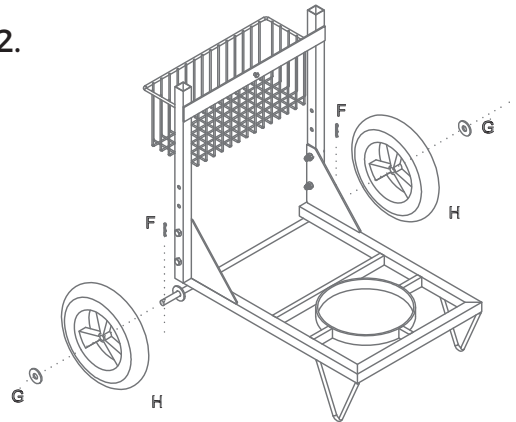
Step 1.



E x 1



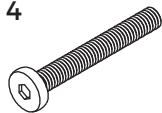
Step 2.



A x 4



B x 4



D x 2



F x 2



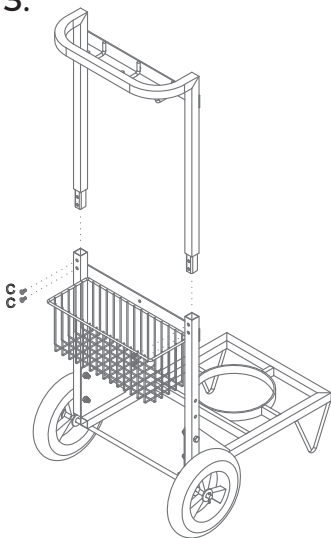
G x 2



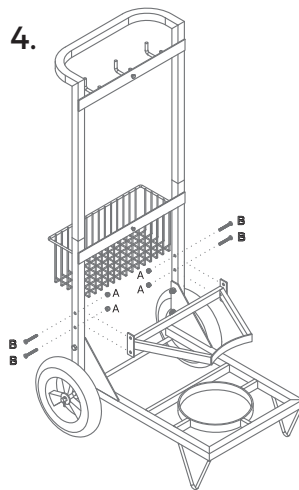
H x 2



Step 3.



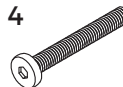
Step 4.



A x 4



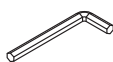
B x 4



C x 4



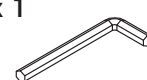
E x 1



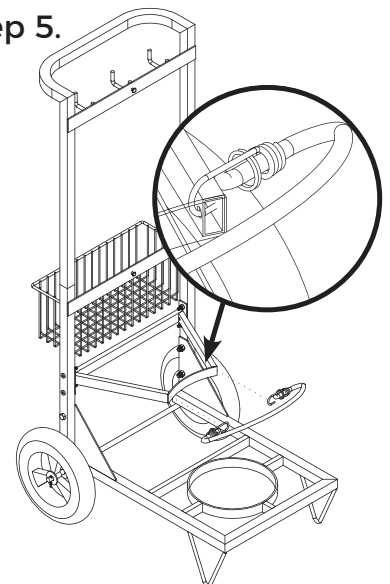
D x 1



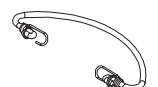
E x 1



Step 5.



I x 1



**Schneiders Saddlery**

8255 E. Washington Street | Chagrin Falls, OH 44023

**SSTACK.COM**