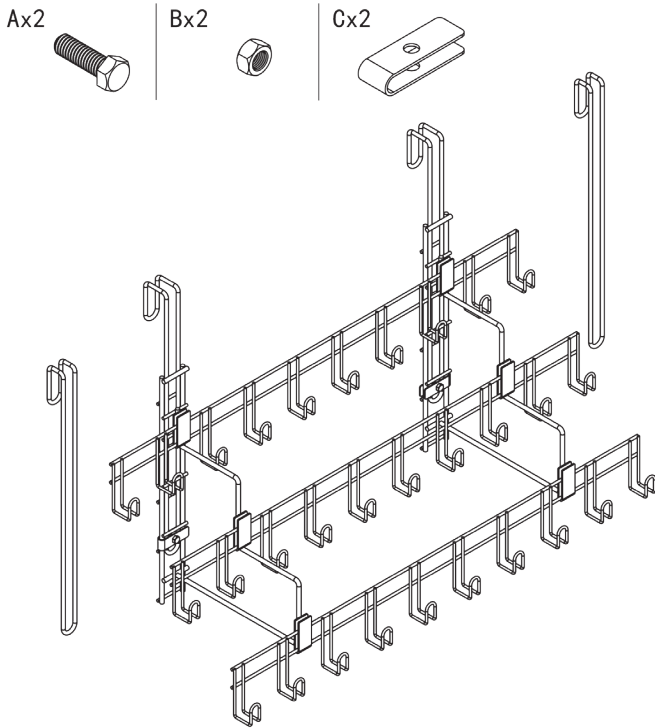




ASSEMBLY INSTRUCTIONS

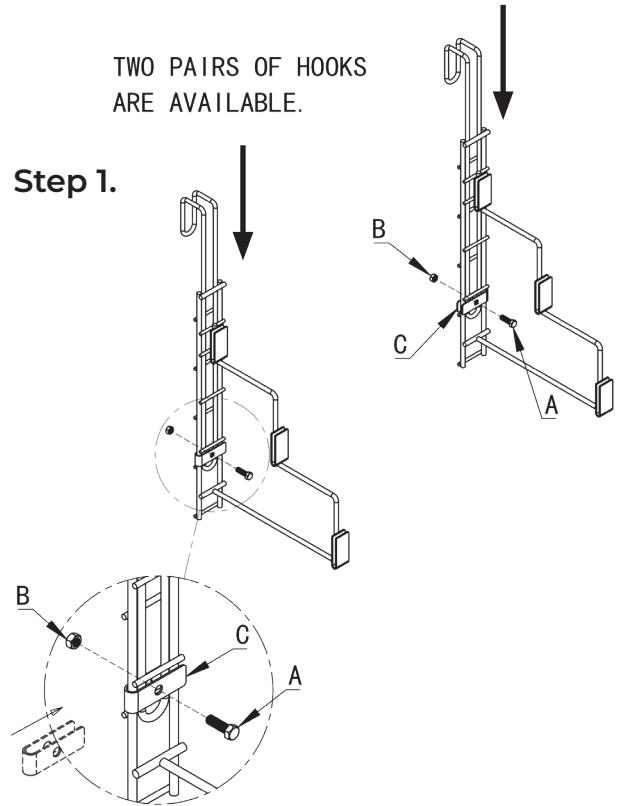
#25654 Easy-Up® Pro Large Bridle & Tack Rack

To assemble, check to ensure that all necessary parts are included. Please follow the assembly instructions carefully.



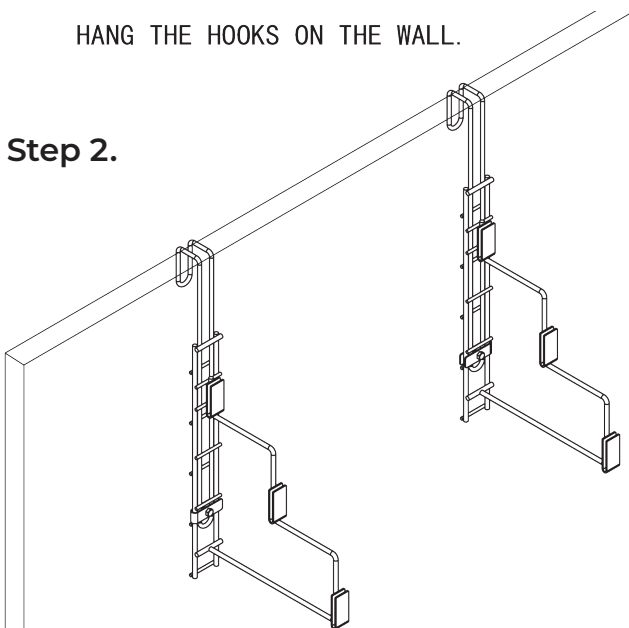
TWO PAIRS OF HOOKS ARE AVAILABLE.

Step 1.



HANG THE HOOKS ON THE WALL.

Step 2.



Step 3.

