

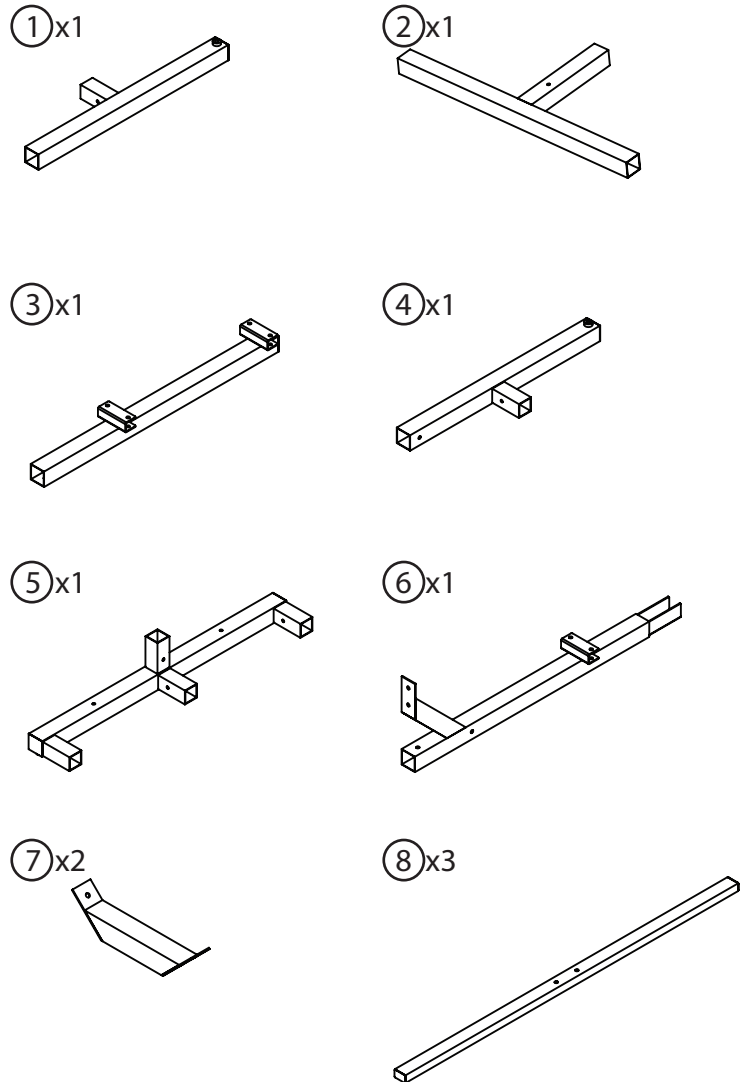
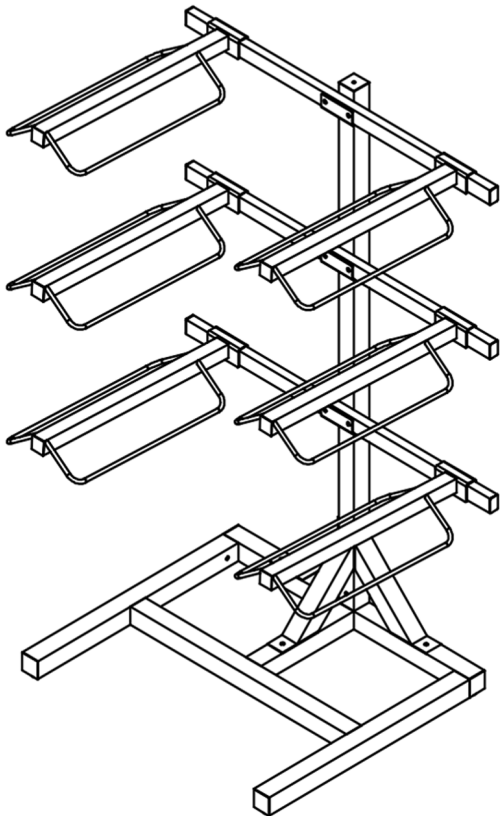


ASSEMBLY INSTRUCTIONS

#40625 Easy-Up® Pro Interchangeable Saddle & Tack Stand With Custom Options

To assemble, check to ensure that all necessary parts are included. Please follow the assembly instructions carefully.

Ax4		Bx11		Cx7		Dx1	
		Ex6		Fx2			



Schneider Saddlery

8255 E. Washington Street | Chagrin Falls, OH 44023

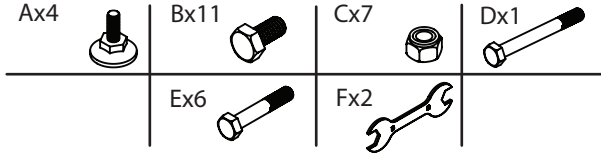
SSTACK.COM



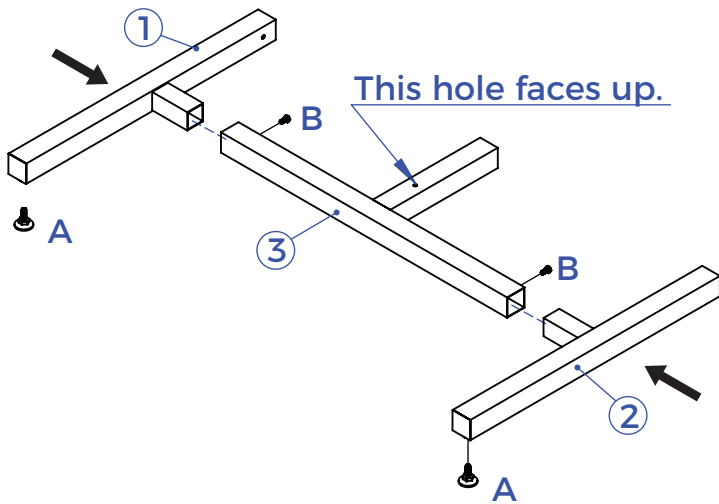
ASSEMBLY INSTRUCTIONS

#40625 Easy-Up® Pro Interchangeable Saddle & Tack Stand With Custom Options

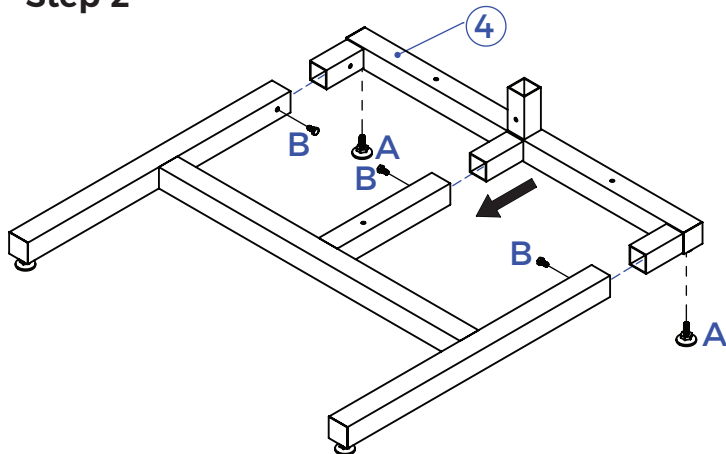
To assemble, check to ensure that all necessary parts are included. Please follow the assembly instructions carefully.



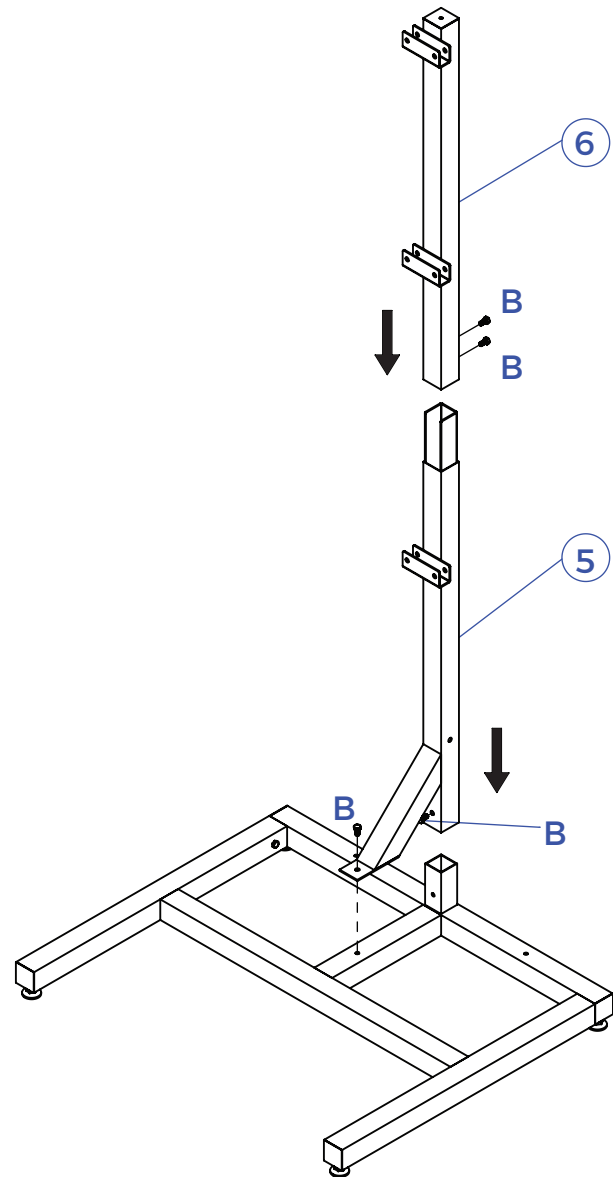
Step 1



Step 2



Step 3



Schneider Saddlery

8255 E. Washington Street | Chagrin Falls, OH 44023

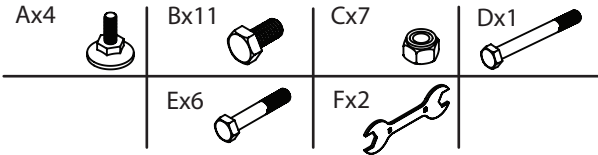
SSTACK.COM



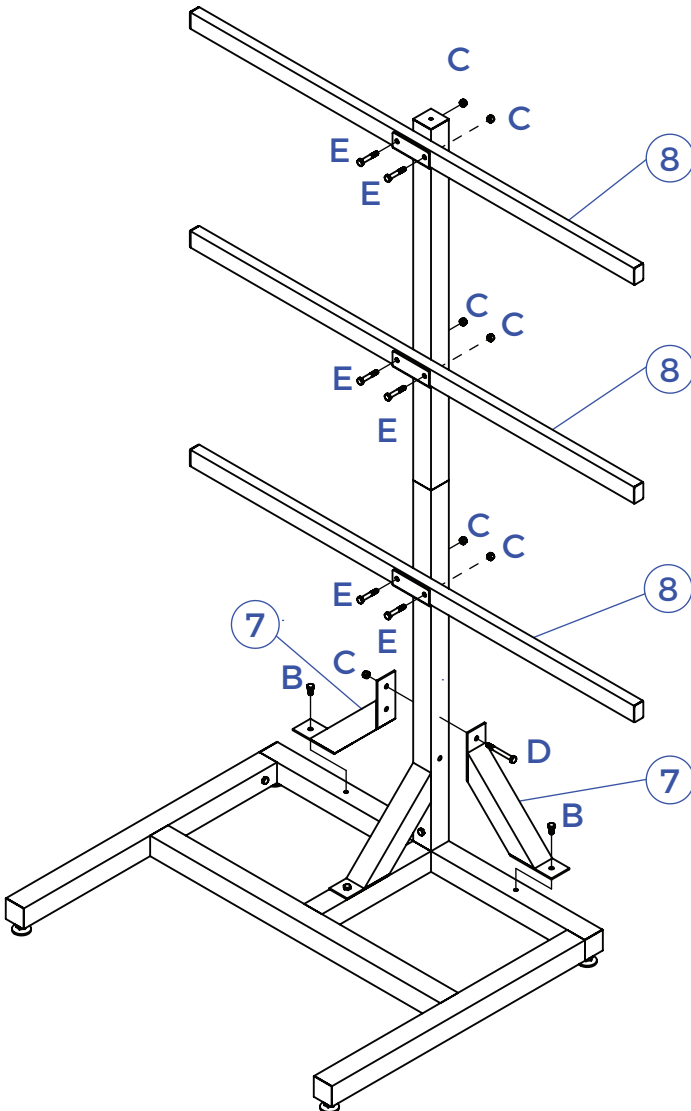
ASSEMBLY INSTRUCTIONS

#40625 Easy-Up® Pro Interchangeable Saddle & Tack Stand With Custom Options

! To assemble, check to ensure that all necessary parts are included. Please follow the assembly instructions carefully.



Step 4



Schneider Saddlery

8255 E. Washington Street | Chagrin Falls, OH 44023

SSTACK.COM