







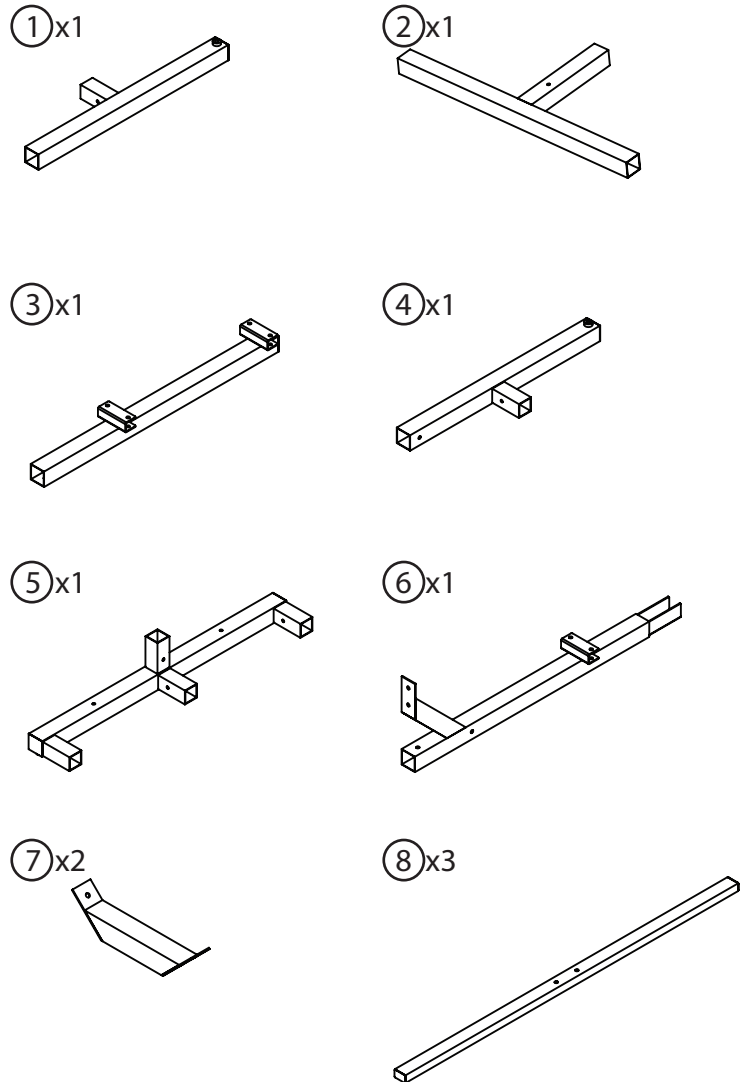
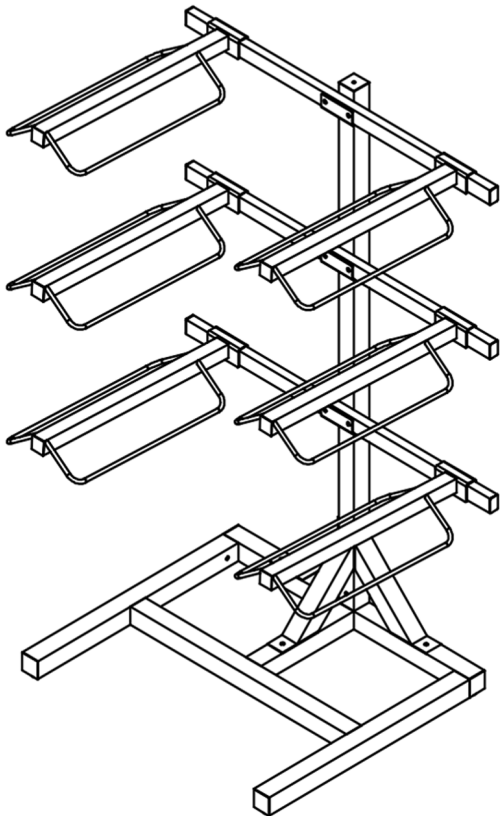


# ASSEMBLY INSTRUCTIONS

## #40625 Easy-Up® Pro Interchangeable Saddle & Tack Stand With Custom Options

To assemble, check to ensure that all necessary parts are included. Please follow the assembly instructions carefully.

Ax4		Bx11		Cx7		Dx1	
		Ex6		Fx2			

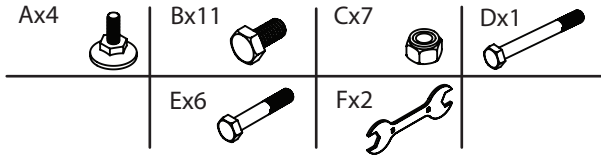




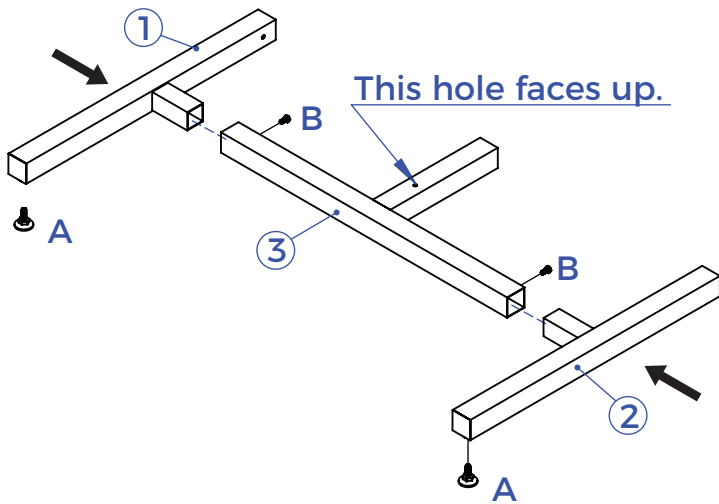
## ASSEMBLY INSTRUCTIONS

### #40625 Easy-Up® Pro Interchangeable Saddle & Tack Stand With Custom Options

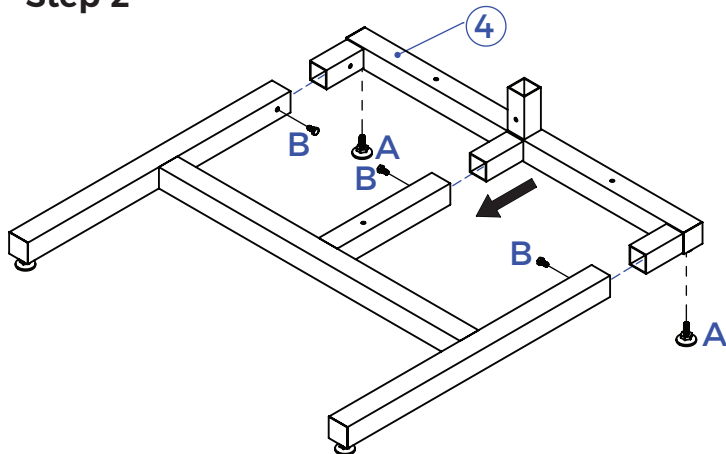
To assemble, check to ensure that all necessary parts are included. Please follow the assembly instructions carefully.



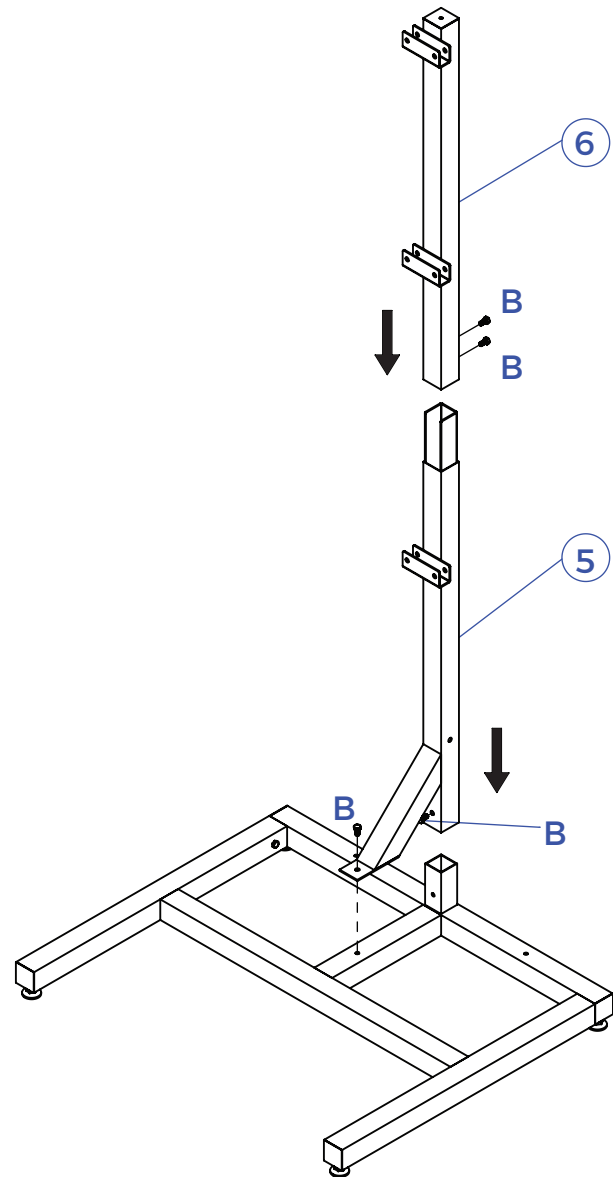
#### Step 1



#### Step 2



#### Step 3



**Schneider Saddlery**

8255 E. Washington Street | Chagrin Falls, OH 44023

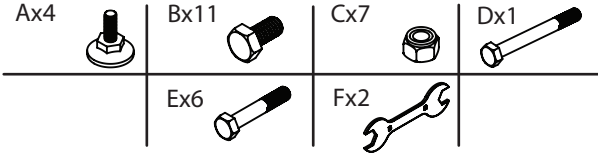
**SSTACK.COM**



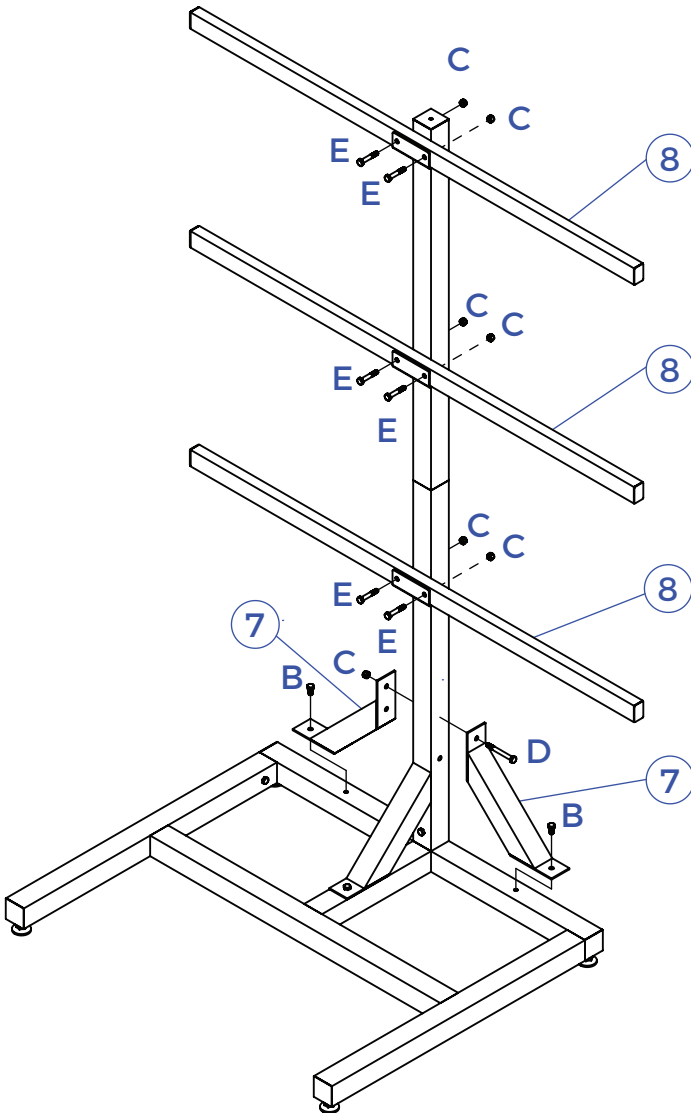
## ASSEMBLY INSTRUCTIONS

### #40625 Easy-Up® Pro Interchangeable Saddle & Tack Stand With Custom Options

To assemble, check to ensure that all necessary parts are included. Please follow the assembly instructions carefully.



#### Step 4



**Schneider Saddlery**

8255 E. Washington Street | Chagrin Falls, OH 44023

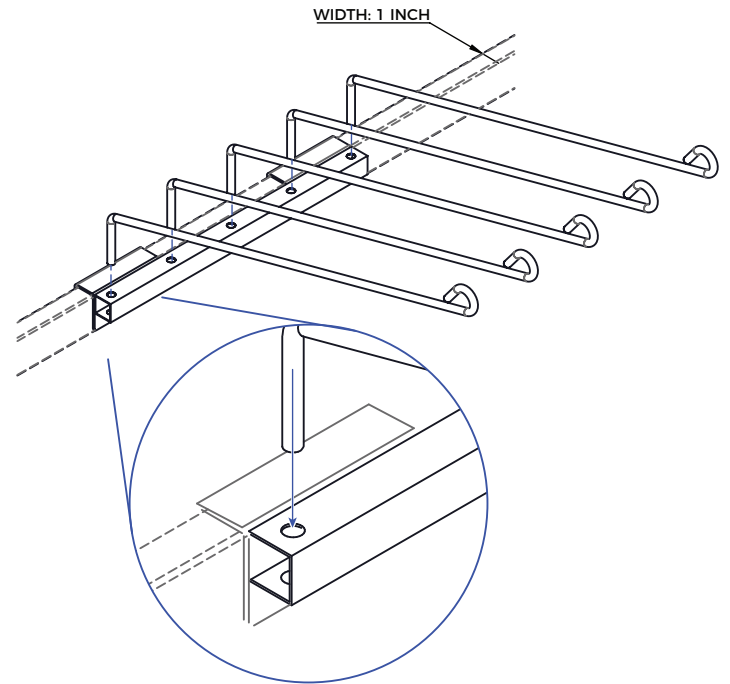
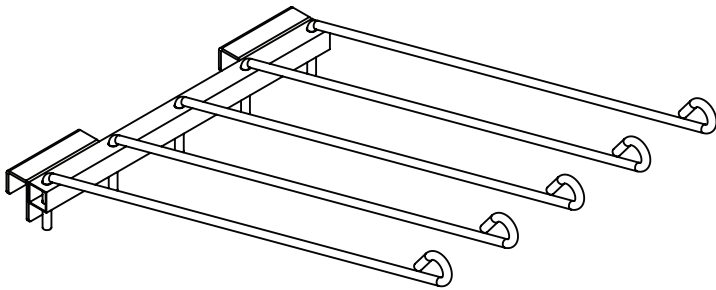
**SSTACK.COM**



## ASSEMBLY INSTRUCTIONS

### #42154 Easy-Up® Pro Interchangeable Saddle & Tack Stand: Pad Wrack

! To assemble, check to ensure that all necessary parts are included. Please follow the assembly instructions carefully.



**Schneider Saddlery**

8255 E. Washington Street | Chagrin Falls, OH 44023

**SSTACK.COM**