


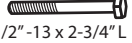


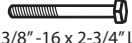


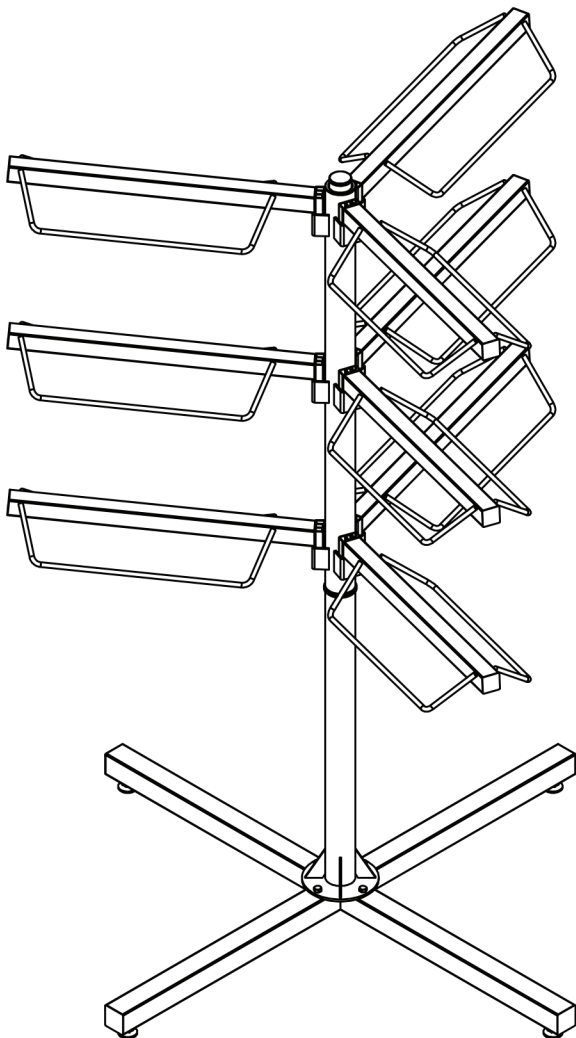


ASSEMBLY INSTRUCTIONS

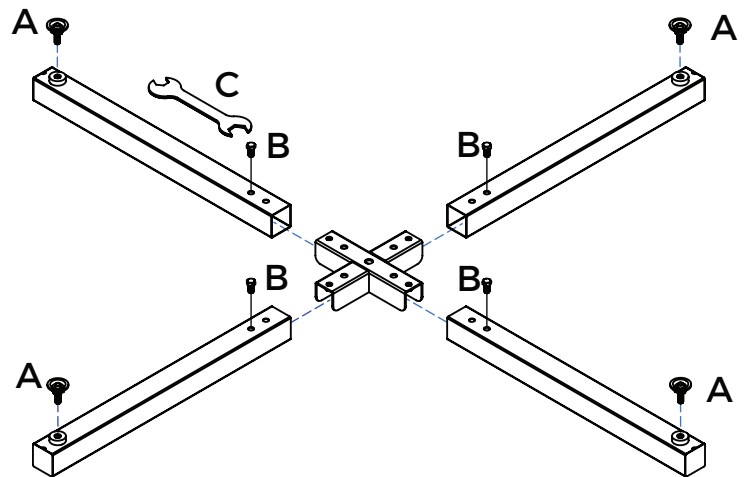
#41504 Easy-Up® Pro Series Rotational Saddle System

To assemble, check to ensure that all necessary parts are included. Please follow the assembly instructions carefully.

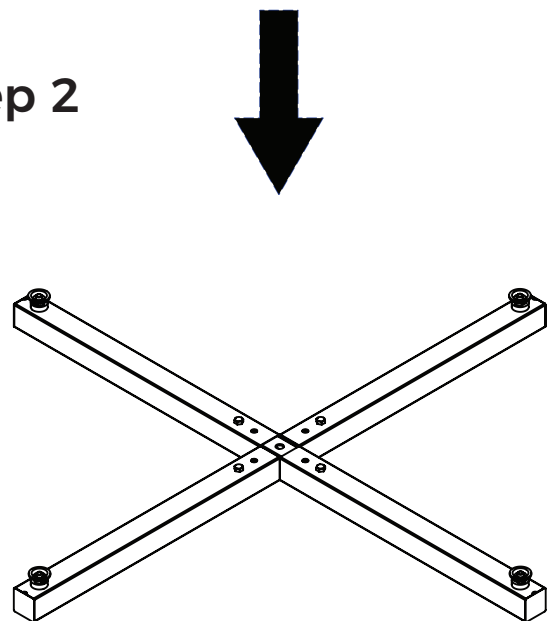
Ax4 	Bx2 3/8"-16 x 3/4"L 	Cx1 	Dx2 1/2"-13 x 2-3/4"L 
Ex4 	Fx2 3/8"-16 NYLON NUT 	Gx2 3/8"-16 x 2-3/4"L 	



Step 1



Step 2



Schneider Saddlery

8255 E. Washington Street | Chagrin Falls, OH 44023

SSTACK.COM

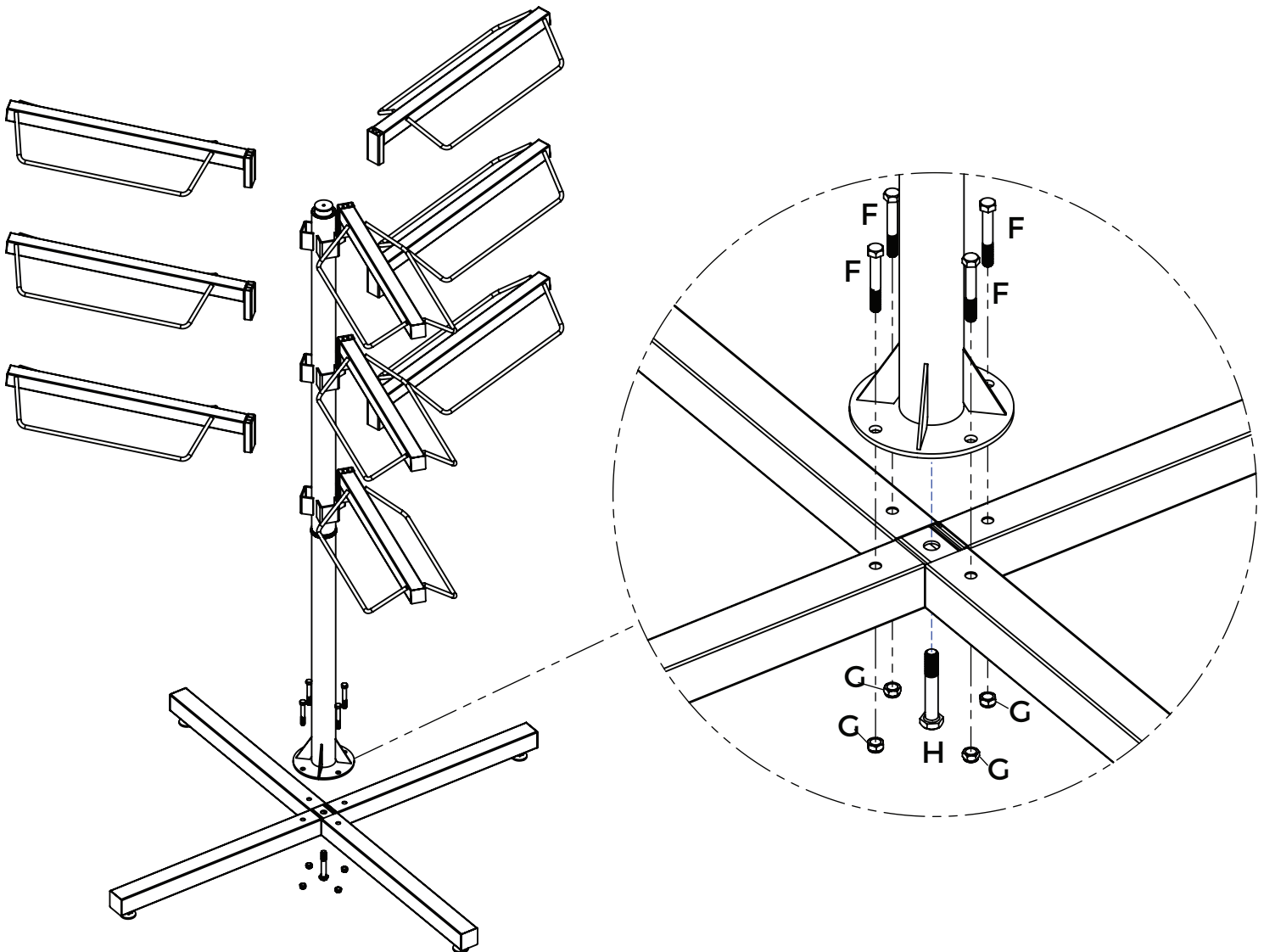


ASSEMBLY INSTRUCTIONS

#41504 Easy-Up[®] Pro Series Rotational Saddle System

! To assemble, check to ensure that all necessary parts are included. Please follow the assembly instructions carefully.

Step 3



Schneider Saddlery

8255 E. Washington Street | Chagrin Falls, OH 44023

SSTACK.COM