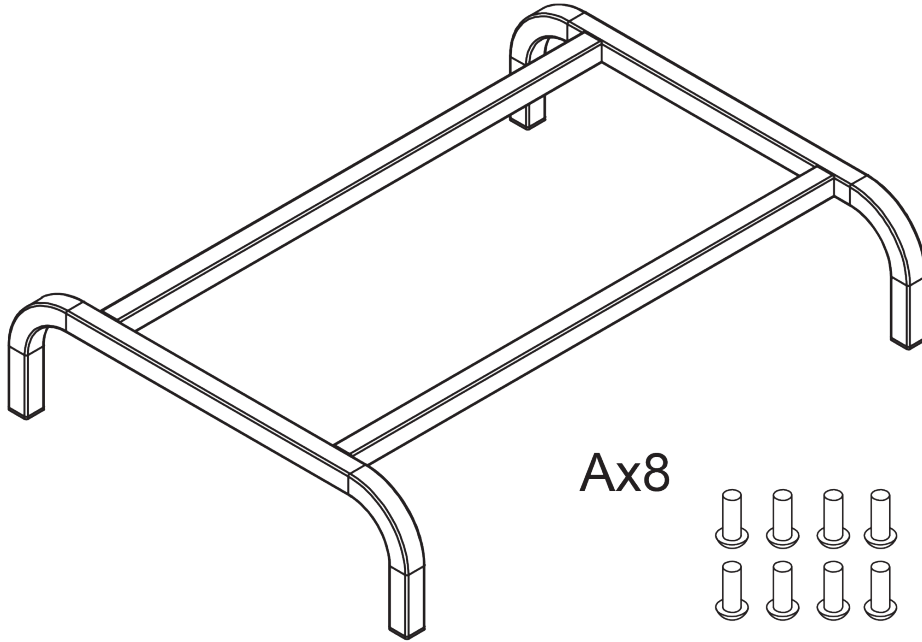




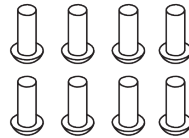
# ASSEMBLY INSTRUCTIONS

## #41800 Easy-Up<sup>®</sup> Tack Trunk Stand

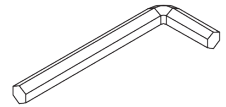


**!** To assemble, check to ensure that all necessary parts are included. Please follow the assembly instructions carefully.

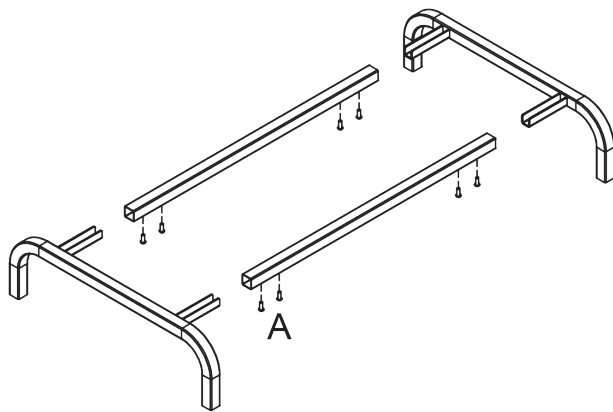
Ax8



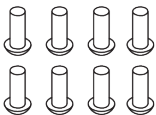
Bx1



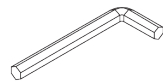
**1.**



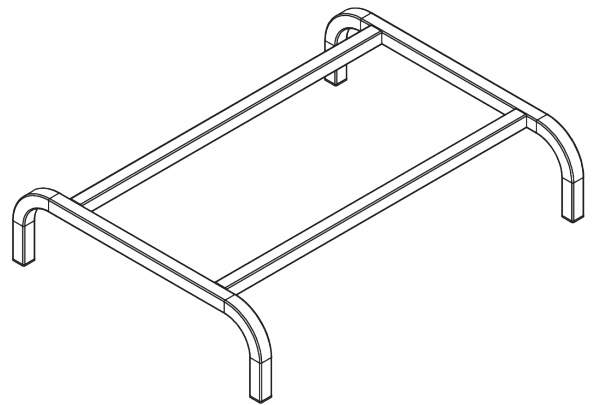
Ax8



Bx1



**2.**



**Schneider Saddlery**

8255 E. Washington Street | Chagrin Falls, OH 44023

**SSTACK.COM**