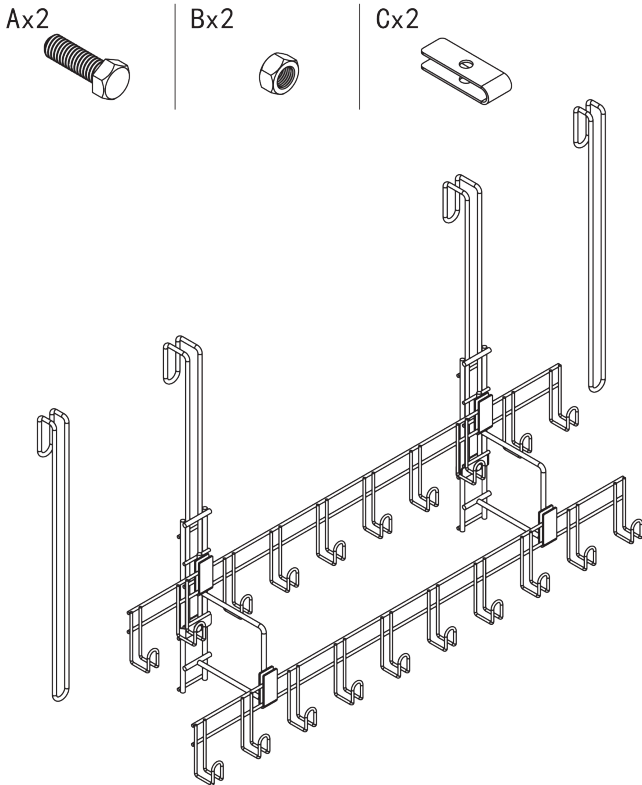




ASSEMBLY INSTRUCTIONS

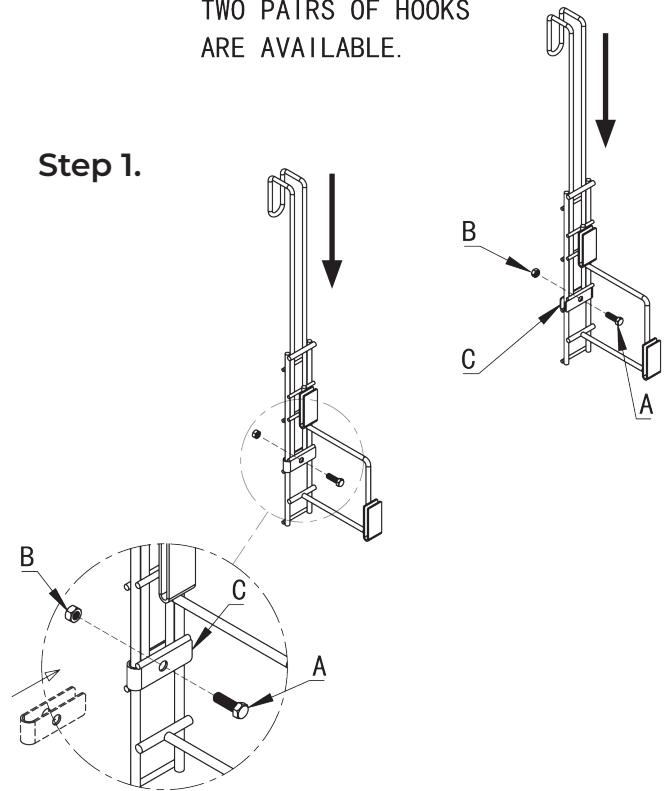
#41832 Easy-Up® Pro Medium Bridle and Tack Rack

To assemble, check to ensure that all necessary parts are included. Please follow the assembly instructions carefully.



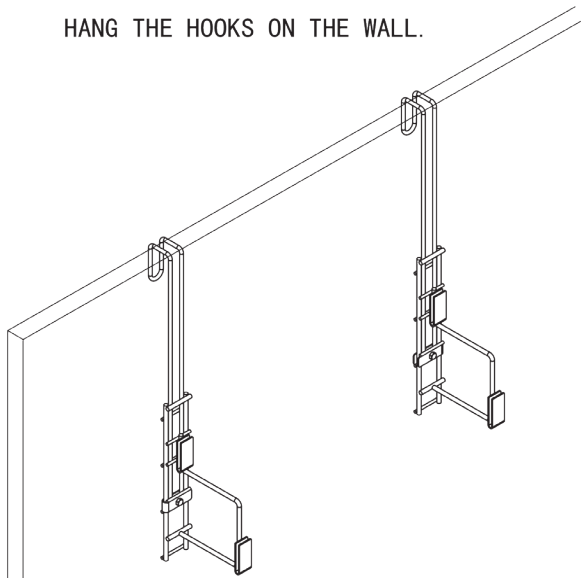
TWO PAIRS OF HOOKS
ARE AVAILABLE.

Step 1.



Step 2.

HANG THE HOOKS ON THE WALL.



Step 3.

