



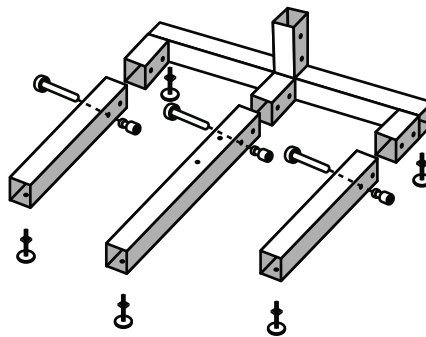
ASSEMBLY INSTRUCTIONS

#42273 Easy-Up® Saddle & Tack System

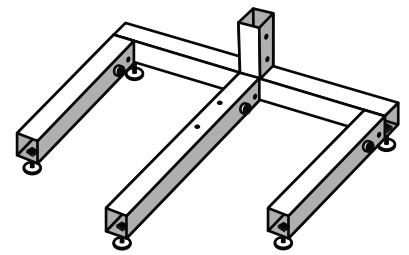
DESCRIPTION	QTY
Saddle Racks	5
Pad Rods	8
Base Side Legs	2
Center Base Leg	1
Diagonal Support Bar	1
Bottom Base	1
Bottom Vertical Frame	1
Top Vertical Frame	1
Screws	6
Wrench	1
Nuts	6
Peg Legs	5

! To assemble, check to ensure that all necessary parts are included. Please follow the assembly instructions carefully.

Step 1.



Step 2.



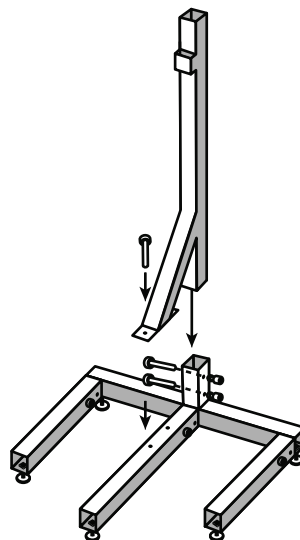
Step 1. Attach legs to bottom base using screws and nuts. Attach the shortest legs on ends and the longest in the center for support.

Step 2. Attach peg feet to the bottom of unit base.

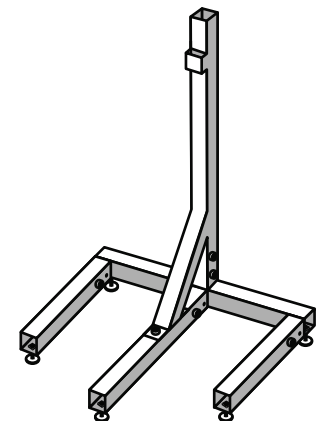
Step 3. Slide on bottom vertical post to base. Attached with screws & nuts.

Step 4. Ensure hardware is secured and tightened.

Step 3.



Step 4.



Schneider Saddlery

8255 E. Washington Street | Chagrin Falls, OH 44023

SSTACK.COM



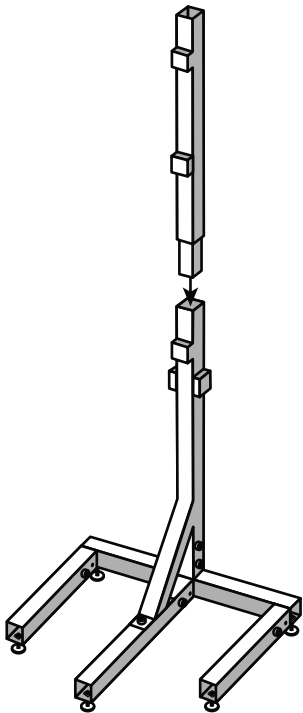
Step 5. Slide upper vertical post into bottom post.

Step 6. Ensure both posts are connecting securely.

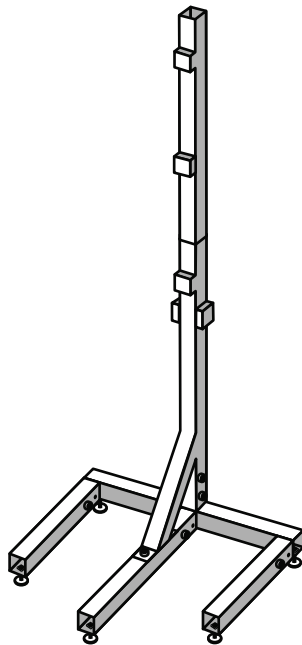
Step 7. Attach each saddle rack and pad rack accordingly to diagram.

Step 8. Complete tack system should reflect in illustration

Step 5.



Step 6.

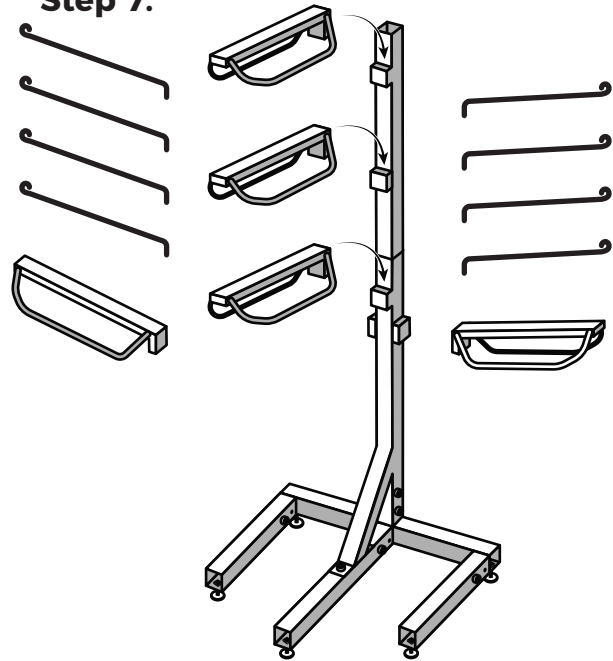


ASSEMBLY INSTRUCTIONS

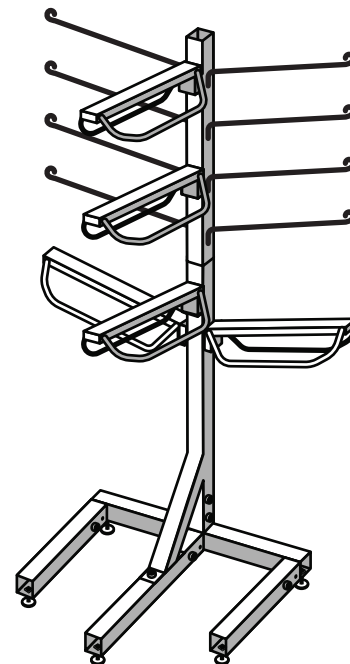
#42273 Easy-Up[®] Saddle & Tack System

! To assemble, check to ensure that all necessary parts are included. Please follow the assembly instructions carefully.

Step 7.



Step 8.



Schneider Saddlery

8255 E. Washington Street | Chagrin Falls, OH 44023

SSTACK.COM