



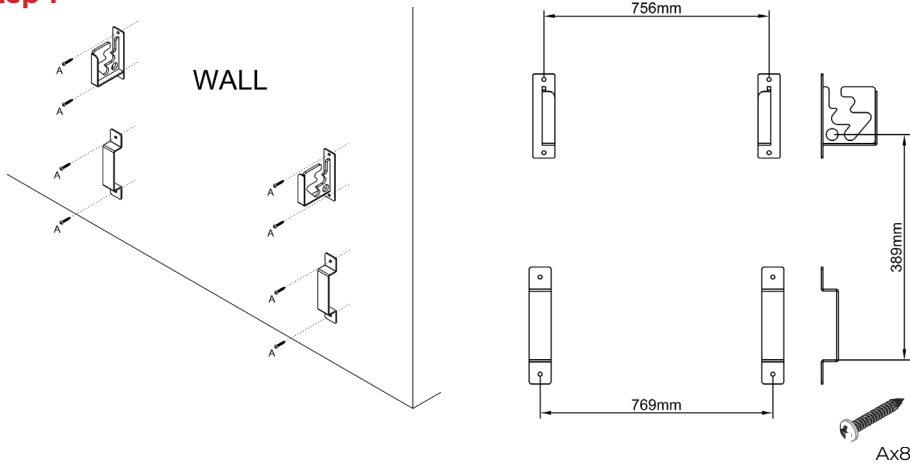
ASSEMBLY INSTRUCTIONS

#42407 Easy-Up® Freehand® Feeder



! To assemble, check to ensure that all necessary parts are included. Please follow the assembly instructions carefully.

Step 1



Step 1. Mount top and bottom brackets approximately 8 ¼" from bottom of top mount to top of lower mount. Inside distance from top brackets should be 28 ½" from another. Inside distance from bottom mounts should be 29 1/16" from another.

Step 2. Tighten washer head screw cap onto the left-side of the shortest rod. Slide through top left bracket, and then slide the backside of your hay net top loops onto the rod. Continue to slide the rest of the rod through the right-side bracket. Tighten right side washer head screw cap on to lock rod into place.

Attach a top hay net loop on the left and right-side zig zag top brackets to prevent hay net from gathering in the center of the rods. If your hay net has a drawstring rope, we recommend removing it completely before us.

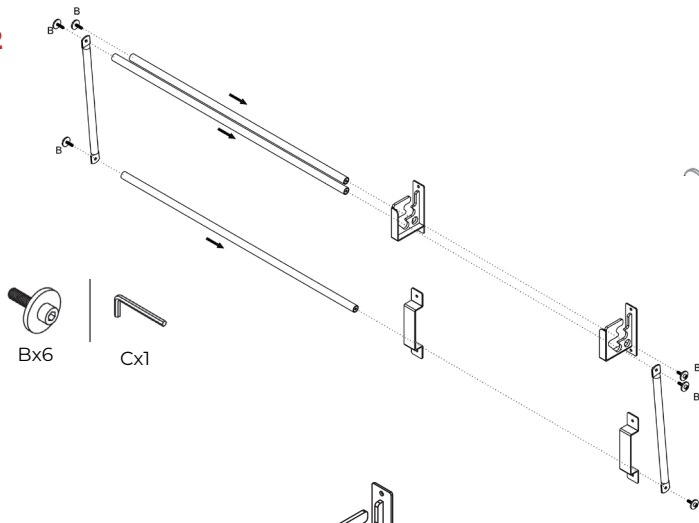
Using the 2 longer rods, attach the top rod to the bottom rod by using the short side arm and washer head screws. Only attach the left side first. The bottom left side arm should be locked in place by the flat washer screw with the mounted bracket. Do not slide through the right-side brackets at this time. Next, slide the top loops of the front side of the hay net on the top rod (leaving the bottom rod empty).

Pro Tip: Leave 1-2 top loops of the hay net unattached on both the left and right side to allow for the net to open up wider for larger loading opening.

Finish assembly by sliding the top and bottom rods through their corresponding brackets. Attach the short side arm with the washer head screw to lock arms into the mounts.

Step 3. When finished, the bottom rod should rest comfortably on the bottom of the lower brackets and the top rod should rest comfortably at the bottom of the top bracket. Lift the top rod out from the zig zag shaped top bracket to open hay net and load hay. Re-insert the top rod into bracket channel to close net and begin use.

Step 2



Step 3

