



## ASSEMBLY INSTRUCTIONS

### #44243 Easy-Up® Flat Wall Slow Feed Floor Hay Rack

BOLTSx8



NUTSx6



SCREWSx6

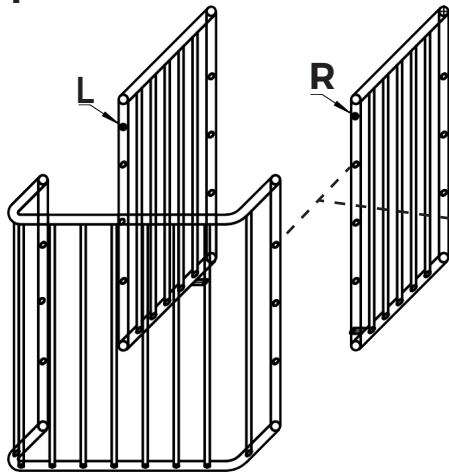


SCREWSx2



! To assemble, check to ensure that all necessary parts are included. Please follow the assembly instructions carefully.

#### Step 1



#### Step 1

Attach front panel to both side panels using nuts and bolts.

BOLTx6



NUTx6

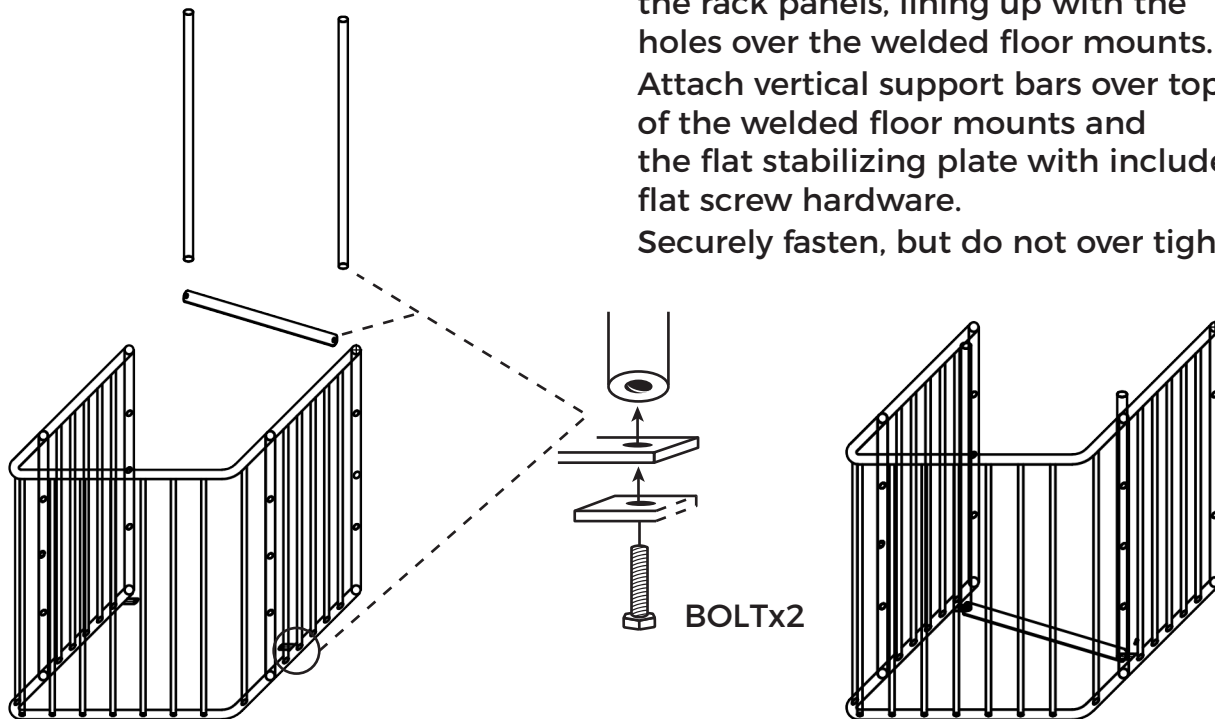


#### Step 2

Place the flat stabilizing plate inside the rack panels, lining up with the holes over the welded floor mounts. Attach vertical support bars over top of the welded floor mounts and the flat stabilizing plate with included flat screw hardware.

Securely fasten, but do not over tighten.

#### Step 2



BOLTx2

**Schneider Saddlery**

8255 E. Washington Street | Chagrin Falls, OH 44023

**SSTACK.COM**



## ASSEMBLY INSTRUCTIONS

### #44243 Easy-Up® Flat Wall Slow Feed Floor Hay Rack

BOLTSx8



NUTSx8



SCREWSx6

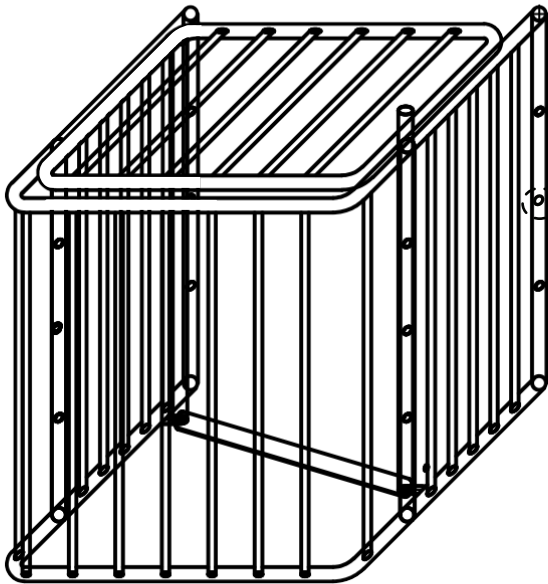


SCREWSx2



! To assemble, check to ensure that all necessary parts are included. Please follow the assembly instructions carefully.

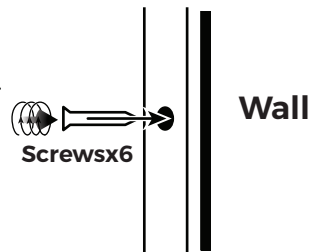
#### Step 3



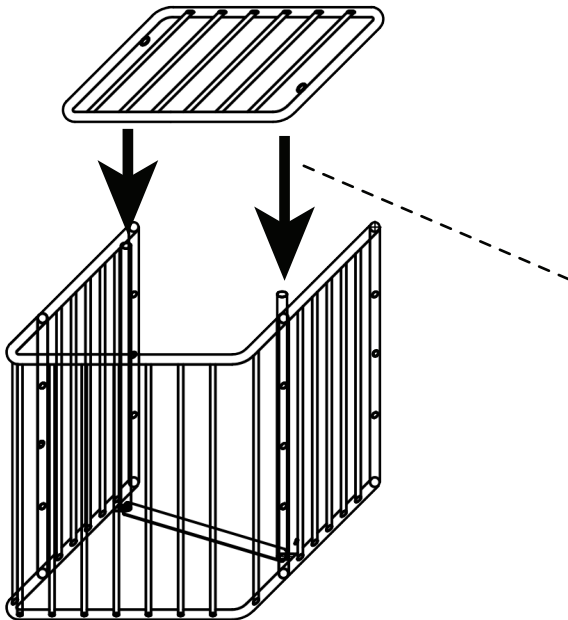
#### Step 3

Attach unit to desired flat wall location in stall with included screw hardware.

Add desired amount of hay inside unit and then slide top grate over top of diagonal vertical support bars and hay.

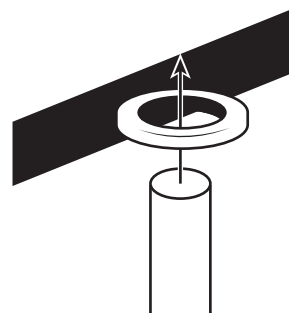


#### Step 4



#### Step 4

Load hay and place lid on top, lining rings up with the vertical support rods.



**Schneider Saddlery**

8255 E. Washington Street | Chagrin Falls, OH 44023

**SSTACK.COM**