



ASSEMBLY INSTRUCTIONS

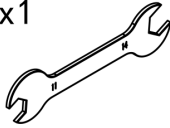
#44696 Easy-Up® Car Headrest Basket

Ax2

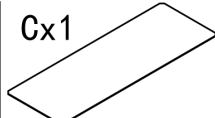


NUT

Bx1



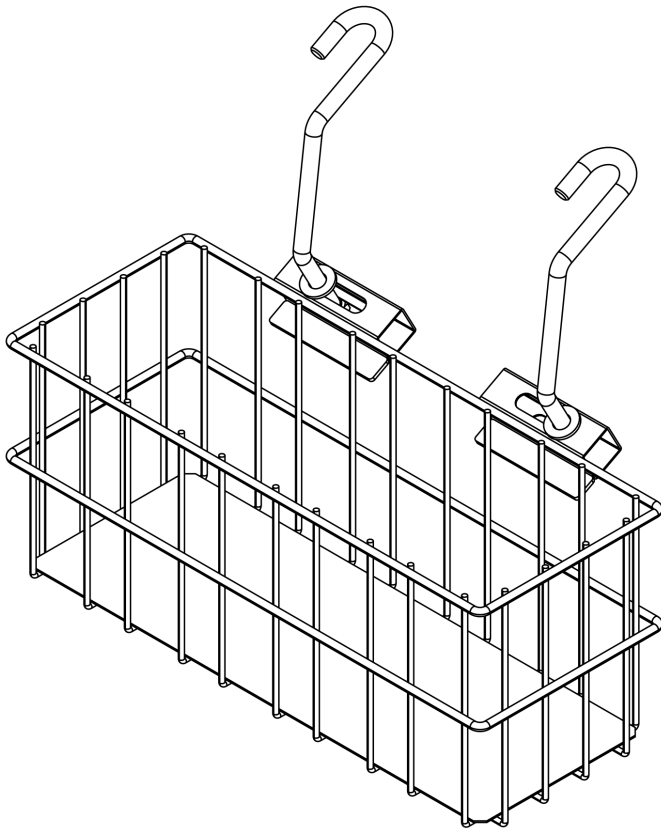
Cx1



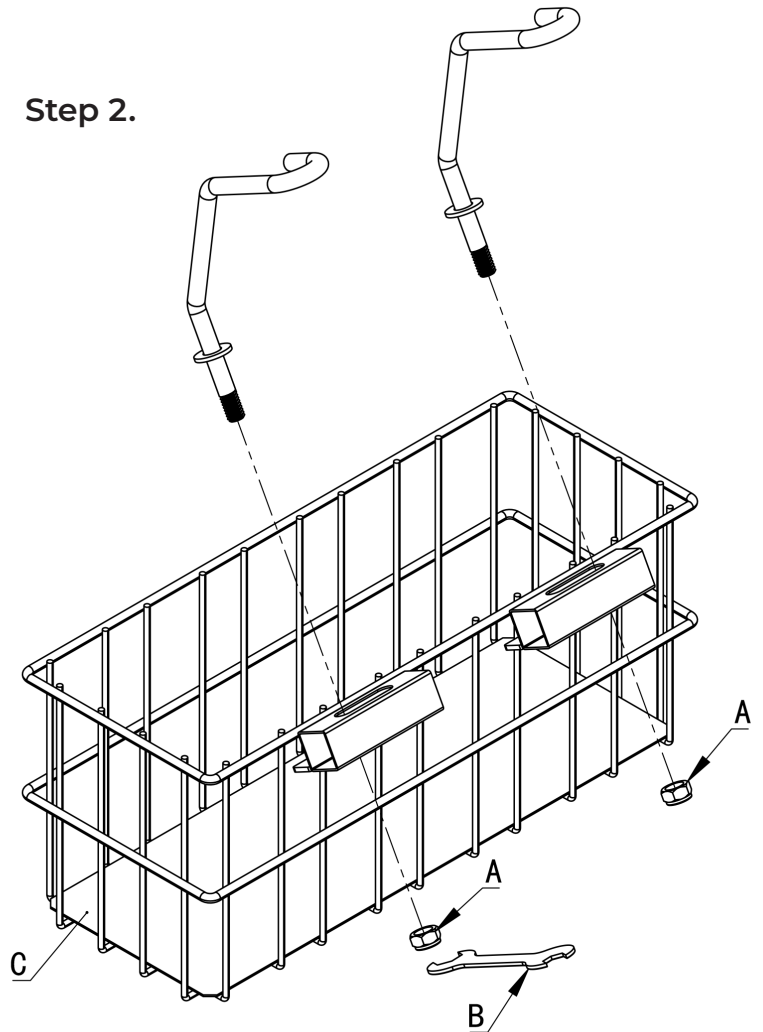
PLASTIC PLATE

! To assemble, check to ensure that all necessary parts are included. Please follow the assembly instructions carefully.

Step 1.



Step 2.



Schneider Saddlery

8255 E. Washington Street | Chagrin Falls, OH 44023

SSTACK.COM