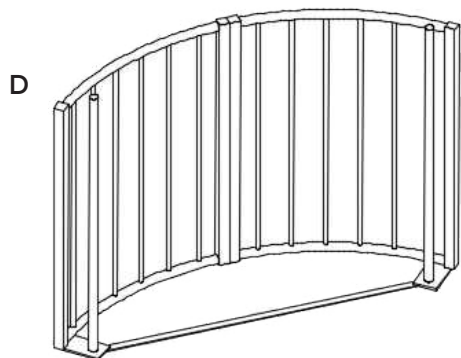
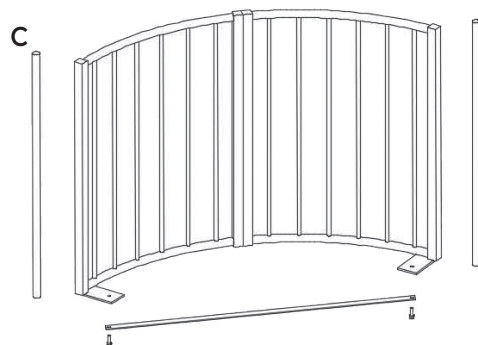
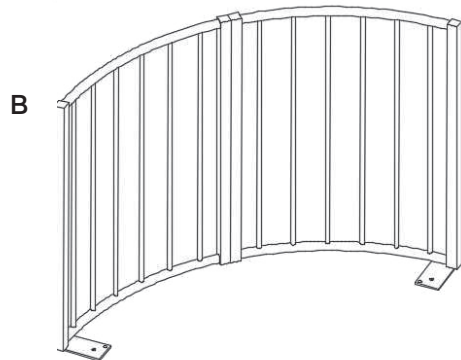
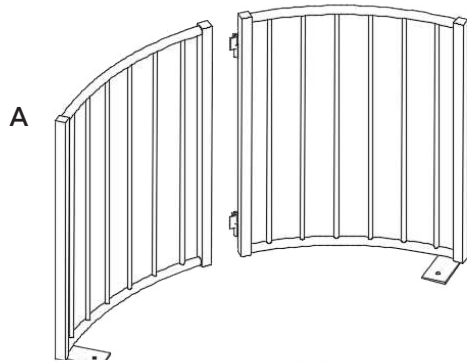




ASSEMBLY INSTRUCTIONS

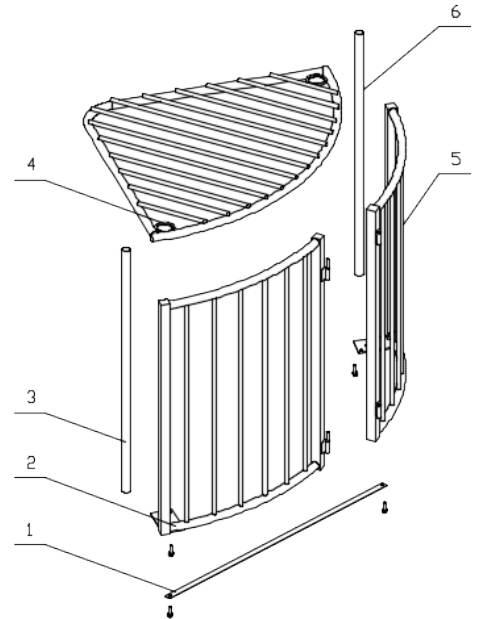
#45286 Easy-Up[®] Pro Slow Feed Corner Floor Hay Rack

! To assemble, check to ensure that all necessary parts are included. Please follow the assembly instructions carefully.



Components

1. Flat stabilizing plate
2. Left front panel
3. Vertical support bar
4. Top grate
5. Right front panel
6. Vertical support bar



Step One

Attach two front panels together by connecting the matching hinges (A). Make sure the connection is a flush, secure fit (B).

Step Two

Place the flat stabilizing plate behind the panels, lining up with the holes under the welded floor mounts (C).

Step Three

Attach the vertical support bar over top of the welded floor mounts and the flat stabilizing plate with included hardware. Securely fasten but do not over tighten (D).

Step Four

Attach the unit to a corner floor of a stall with included hardware. Add desired amount of hay inside unit and then slide on top grate over top of vertical support bars and hay.

Schneider Saddlery

8255 E. Washington Street Chagrin Falls, OH 44023

SSTACK.COM