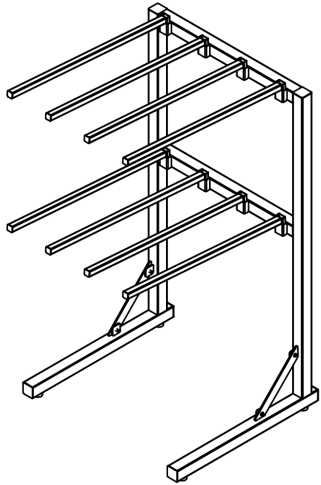




# ASSEMBLY INSTRUCTIONS

## #45289 Easy-Up 8 Arm Space Saver Free Standing Pad Rack

**!** To assemble, check to ensure that all necessary parts are included.  
Please follow the assembly instructions carefully.



A x 16



B x 16



C x 16



D x 1



1.

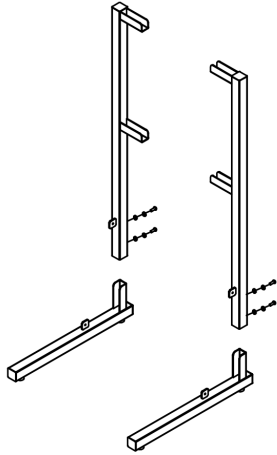
A x 4



B x 4



C x 4



2.

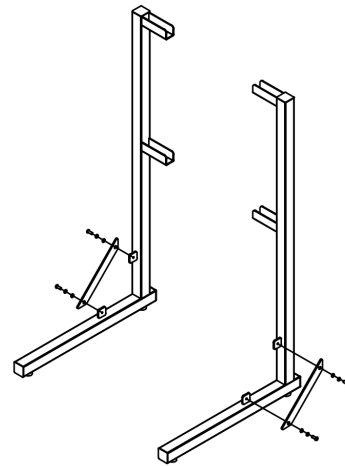
A x 4



B x 4



C x 4



3.

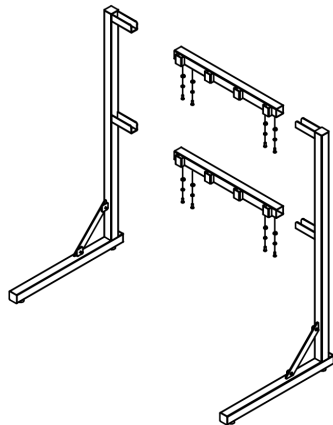
A x 8



B x 8



C x 8



4.

