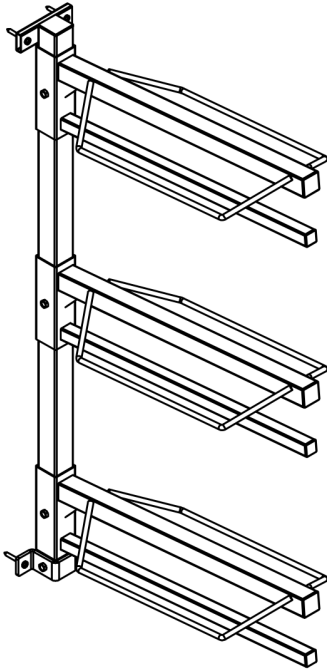

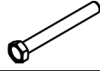





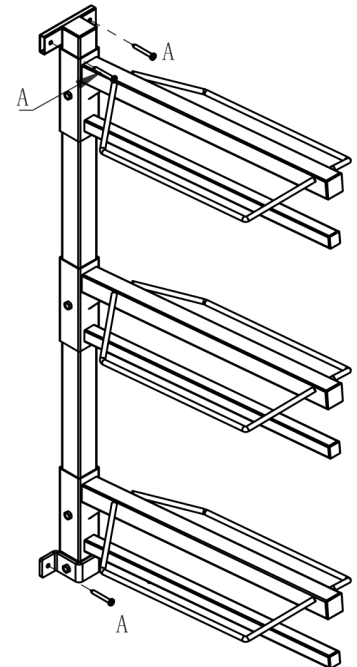
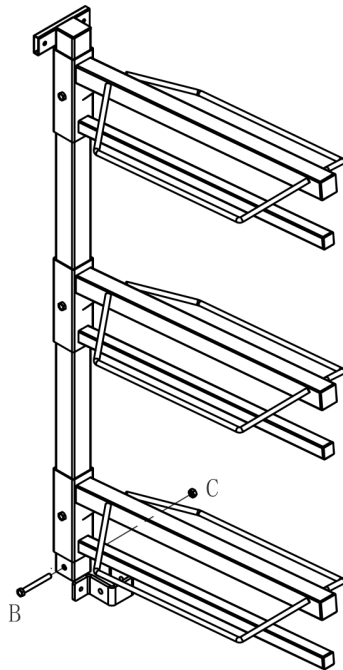
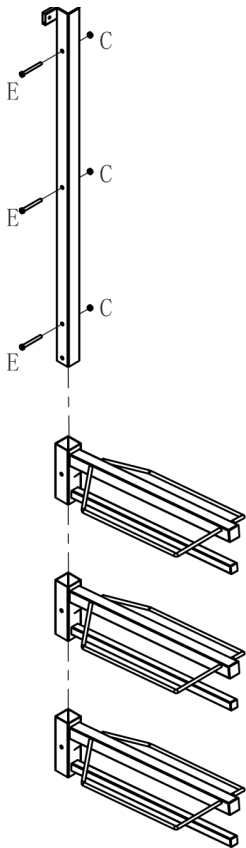


# ASSEMBLY INSTRUCTIONS

## #45475 Easy-Up Pro 3 Tier Mounted Saddle N Pad Rack



Ax4 	Bx1 	Cx4 
Dx2 	Ex3 	



**Schneider Saddlery**

8255 E. Washington Street | Chagrin Falls, OH 44023

**SSTACK.COM**