



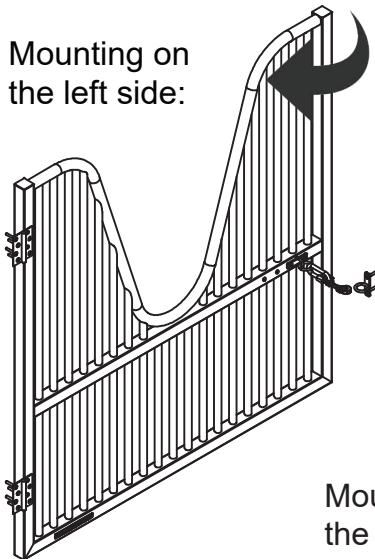
ASSEMBLY INSTRUCTIONS

#46672 (52") #46683 (48")

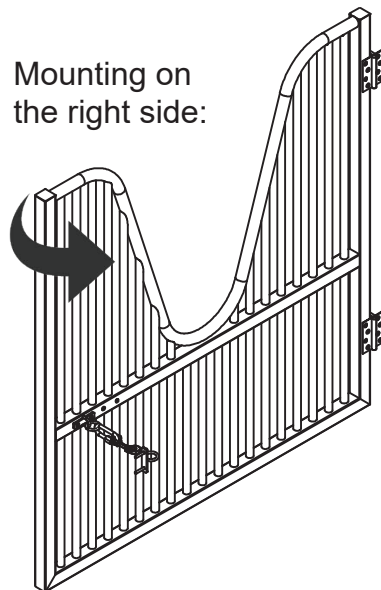
Schneiders® Titan Elite Gates



To assemble, check to ensure that all necessary parts are included. Please follow the assembly instructions carefully.



Mounting on the left side:

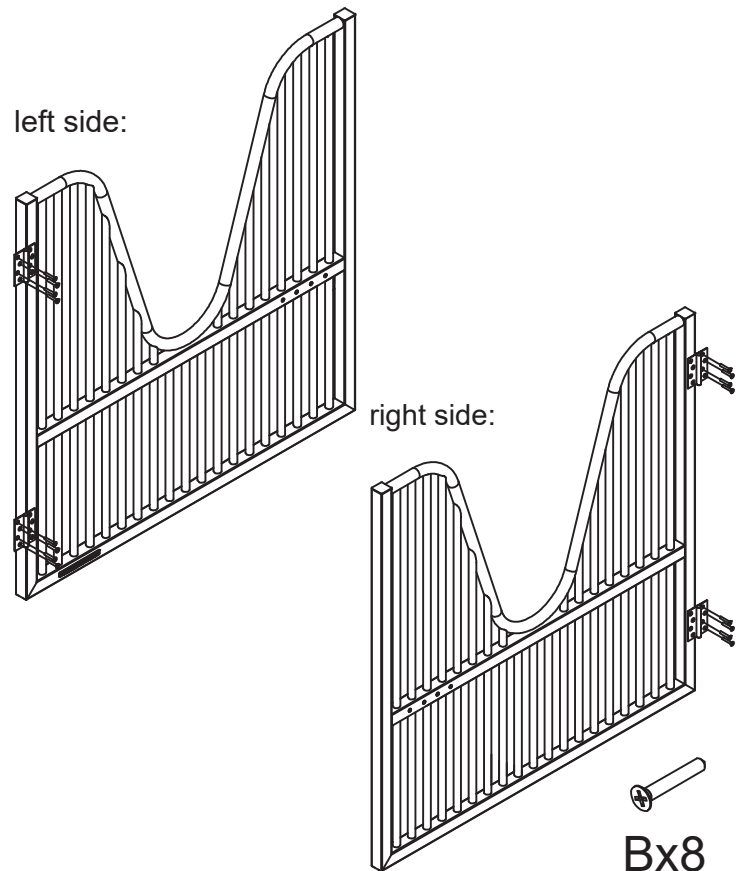


Mounting on the right side:

This gate can be mounted on either the left or the right side of a stall door frame. It allows for a left swing or right swing function, depending on your preference.

Step 1a: Attach Hinges to the Gate

Locate the top and bottom hinges included in the package. Using the provided screws, securely attach both hinges to the gate frame.



Step 1b: Mount Gate to Stall Door Opening

Position the gate against the stall door opening towards the outside of the frame post, either on the inside or outside of stall. Decide whether the gate will swing towards the aisle or inside the stall, depending on your setup preference. Secure the hinges to the stall door frame with the included screws.



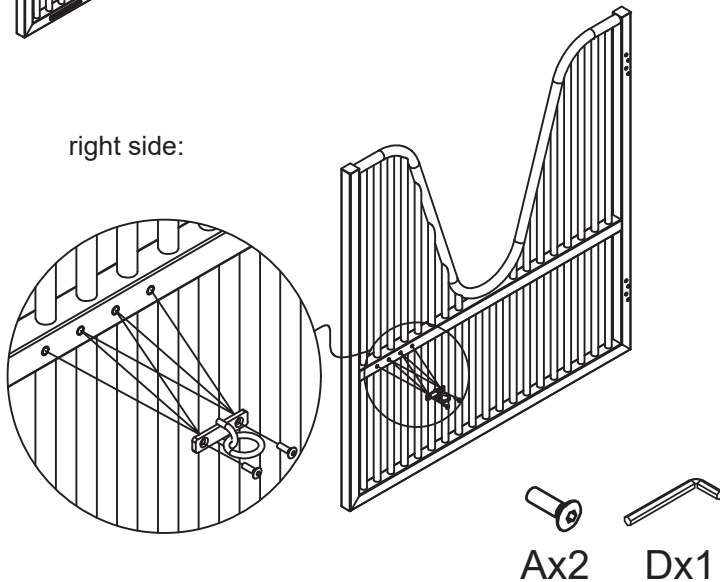
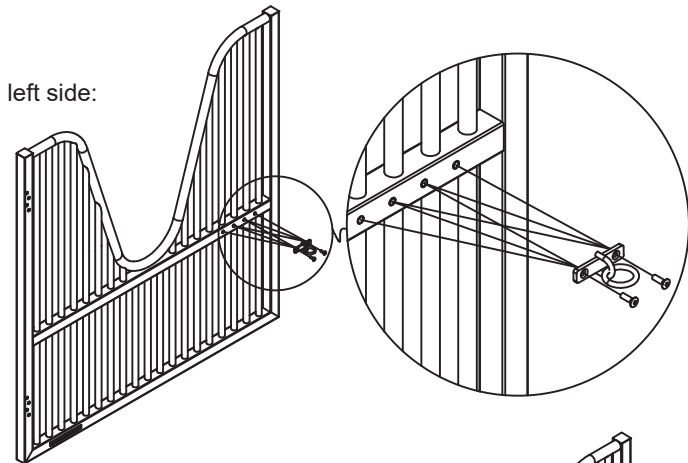
ASSEMBLY INSTRUCTIONS

#46672 (52") #46683 (48")

Schneiders® Titan Elite Gates

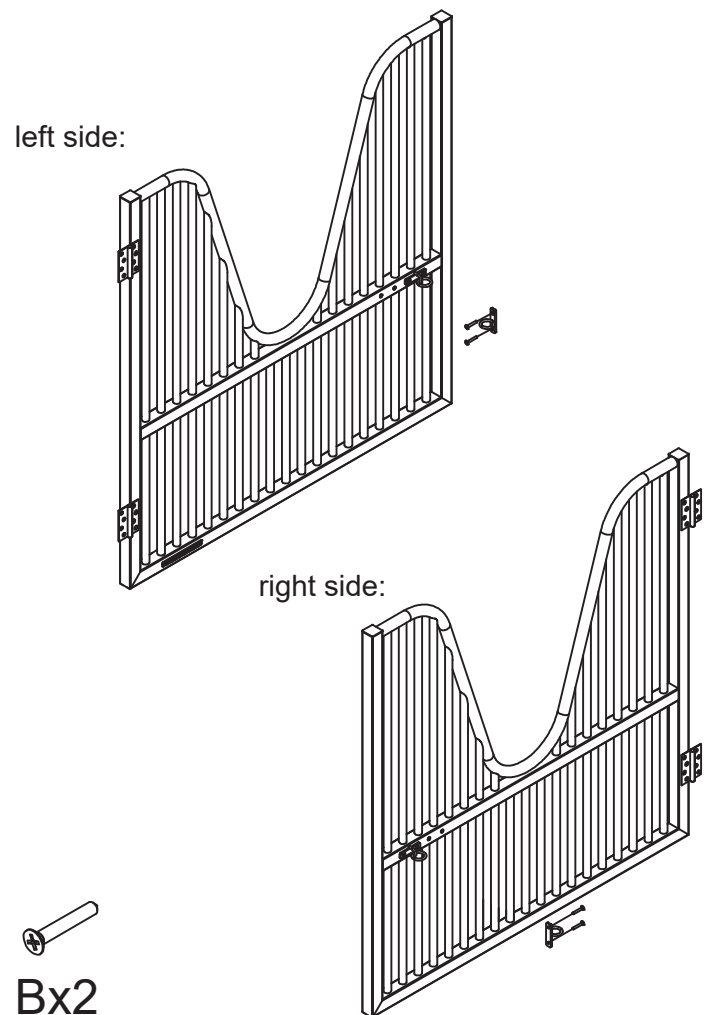


To assemble, check to ensure that all necessary parts are included. Please follow the assembly instructions carefully.



Step 2: Attach the Swivel O-Ring
Locate the swivel O-ring included in the hardware. Attach it to the front end of the gate using one of the three available mounting location hole sets. Choose the best location that fits your stall door frame and desired locking position.

Step 3: Install the Welded O-Ring for Locking
Determine whether you want to lock the gate from the inside door frame or outside front of the stall, depending on how you mounted your gate. Mount the welded O-Ring to the stall door frame at the preferred height for securing the gate. Ensure it aligns with the swivel O-Ring for a proper locking fit with included snap.





ASSEMBLY INSTRUCTIONS

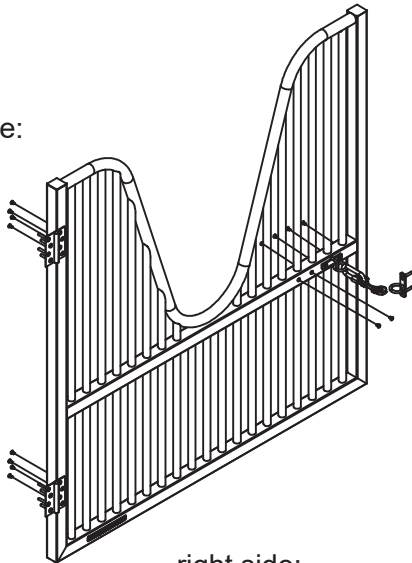
#46672 (52") #46683 (48")

Schneiders[®] Titan Elite Gates

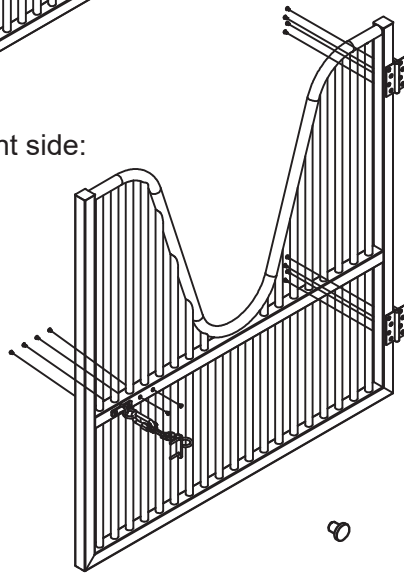


! To assemble, check to ensure that all necessary parts are included. Please follow the assembly instructions carefully.

left side:



right side:



Cx14

Step 4: Secure Unused Screw Holes

Use the provided screw hole plugs to fill in any unused screw holes from installation. This helps to maintain the durability and aesthetic of the gate, as well as provide moisture protection from inside the gate.