

**Easy-Up®
Insta-Hot Cart**
#22109

Cart specially designed for the Insta-Hot Equine Portable Washing System

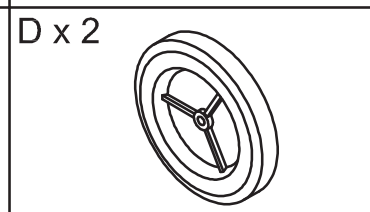
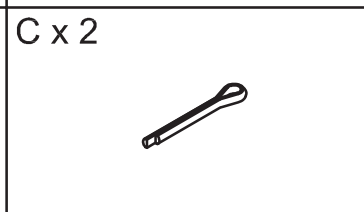
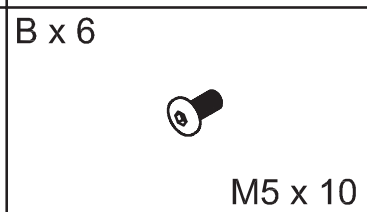
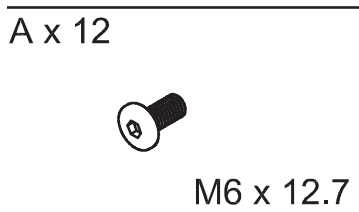
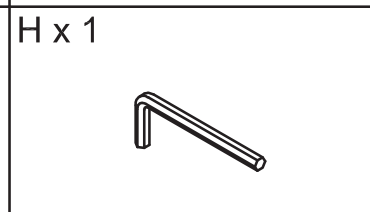
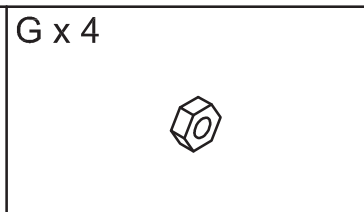
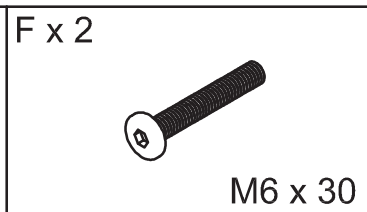
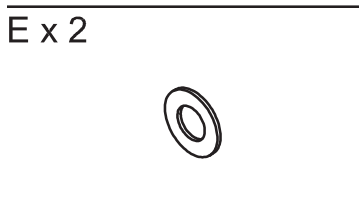
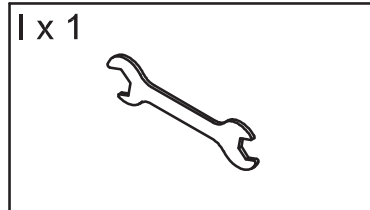
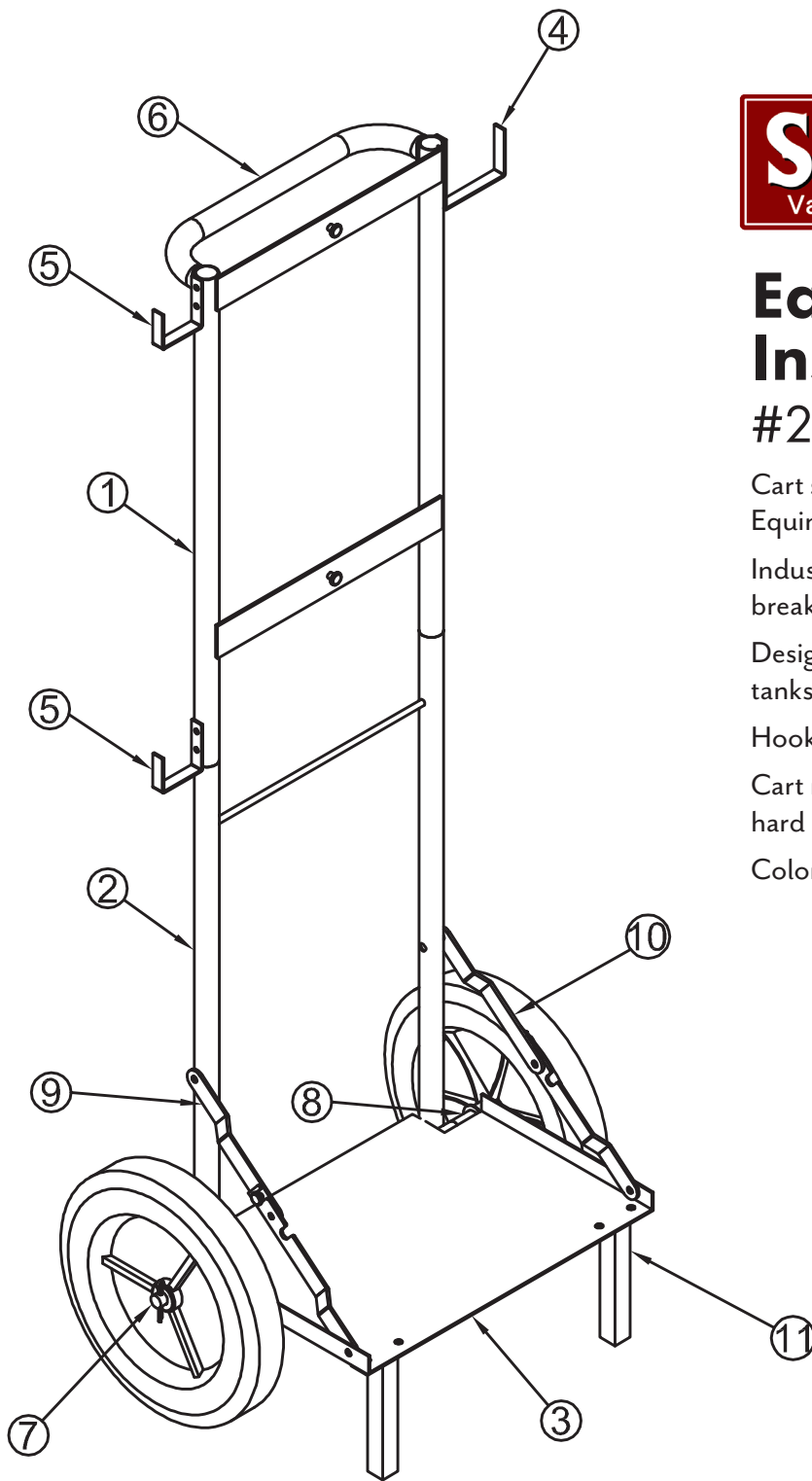
Industry leading 5 Year Easy-Up® Warranty against breakage

Designed to hold Insta-Hot unit and propane tanks

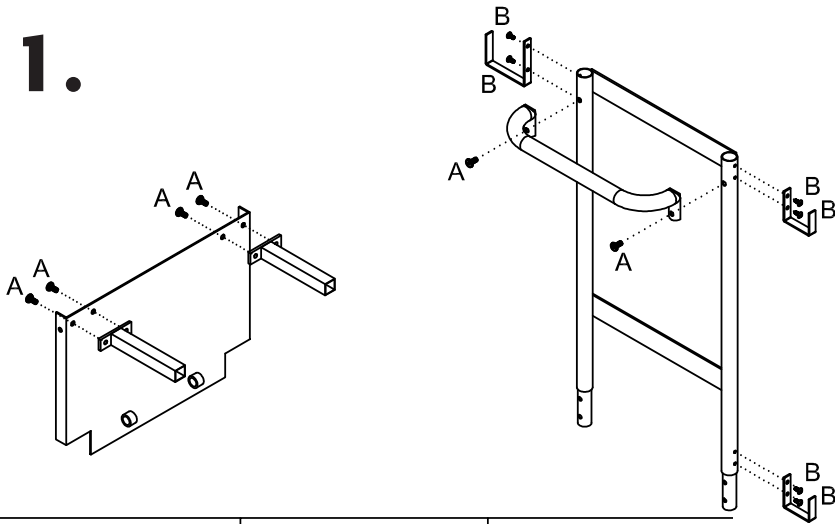
Hooks on each side hold wash totes or leads

Cart measures 47"H x 12"W with 10" hard rubber wheels

Color: Black



1.



H x 1



B x 6



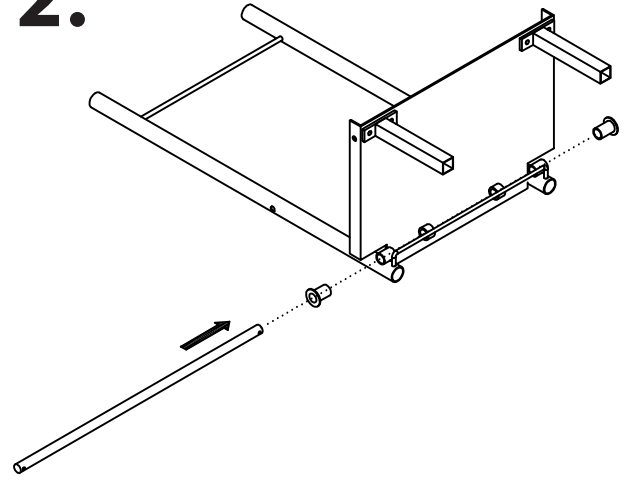
M5 x 10

A x 6

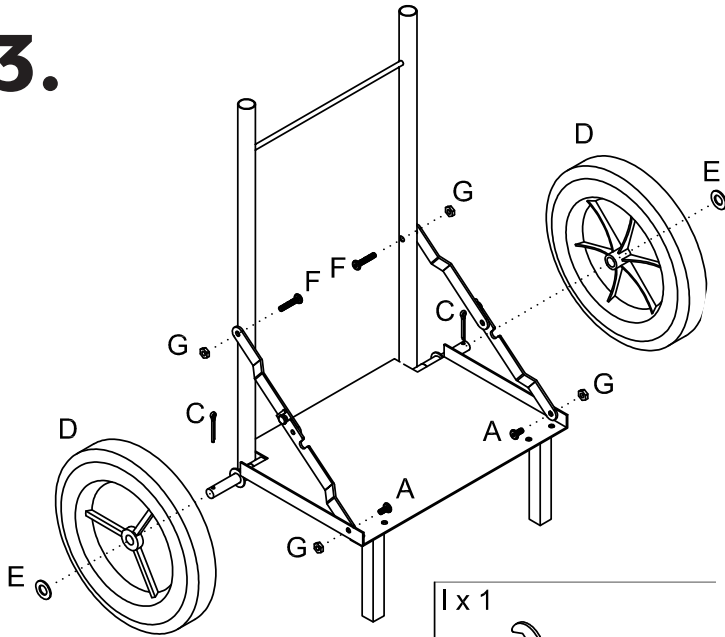


M6 x 12.7

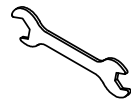
2.



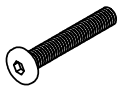
3.



I x 1



F x 2



M6 x 30

G x 4



D x 2



E x 2



A x 2



M6 x 12.7

C x 2



4.

